



MADE IN USA

POWERED by

HONDATM



Highest Quality Post Drivers and Post Pullers

GPD-30

Gas Powered Driver

OWNERS MANUAL

Form No. GPD30-800-10/2012

TAKE SAFETY SERIOUSLY

Your safety, and the safety of others, is very important. The proper and safe use of your Rhino® post driver is an important responsibility and should be taken seriously.



To help you make informed decisions about safety, you will find important safety information in a variety of forms, including:

- Safety Labels on the post driver
- Safety Messages Preceded by a safety alert symbol and one of three signal words, DANGER, WARNING, or CAUTION.

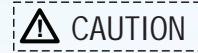
These signal words mean:



You WILL be KILLED or SERIOUSLY HURT if you do not follow instructions.



You CAN be KILLED or SERIOUSLY HURT if you do not follow instructions.



You CAN be HURT if you do not follow instructions.

- Safety Headings such as IMPORTANT SAFETY INFORMATION.
- Safety Section such as POST DRIVER SAFETY.
- Instructions how to use this post driver correctly and safely.

This entire book is filled with important safety information. Please read it carefully



**The engine emits toxic carbon monoxide.
Do not run in an enclosed area.**



The engine exhaust from this product contains chemicals known to the State of California to cause cancer, birth defects or other reproductive harm.

Keep this owner's manual handy, so you can refer to it at any time. This owner's manual is considered a permanent part of the post driver and should remain with the post driver if resold. The information and specifications included in this publication were in effect at the time of approval for printing. Rhino Tool Company, Inc. reserves the right, however, to discontinue or

change specifications or design at any time without notice and without incurring any obligation whatever. No part of this publication may be reproduced without written permission from Rhino Tool Company.

CONTENTS

Section	Page
Safety Symbol Description	i
Table of Contents	iii
Introduction	1
Rhino® GPD-30 Driver Safety	2
Rhino® GPD-30 Operating Instructions	5
Starting the Engine	6
Hot Restart	7
Maintenance of The GPD-30	8
Rhino® GPD-30 Service Instructions	9
Servicing Crankshaft and Piston	10
Service of the Hammer and Anvil	11
Rhino® GPD-30 Parts List	12
Limited Warranty and Registration	19
Rhino® GPD-30 Troubleshooting	21

INTRODUCTION

Congratulations on your selection of the Rhino® GPD-30 post driver. We are certain that you will be pleased with your purchase. The Rhino® GPD-30 post driver is built with extremely high quality components. From the fasteners to the venerable Honda GX 35 engine, every component of this post driver is first quality.

Whether you are a farmer, a vintner, a sign installer or a professional fence contractor, we want you to get the best results from your new Rhino® post driver and to operate it safely. This manual contains the information on how to do just that; please read it carefully.

This post driver was built with the Honda GX 35 engine. Honda supplies its own owner's manual that covers all the operator and service issues associated with the Honda engine. Please read this manual as closely as you do the Rhino manual. The success that you experience with this tool is dependent upon your knowledge and understanding of how to properly operate and care for the Honda engine installed on your new post driver.

As you read this manual, you will find information preceded by a NOTICE symbol. That information is intended to help you avoid damage to your post driver, other property, or the environment.

We suggest you read the warranty information card fully and understand its coverage and your responsibilities of ownership. Fill

out the owner's registration card to receive a warranty extension on the driver components.

Please read and understand the Honda warranty policy. The Honda warranty is separate from the Rhino® warranty and is subject to its own coverage conditions and responsibility requirements. The warranty is a separate document and should have been included with the Honda owner's manual.

When your Rhino® post driver needs scheduled maintenance, the technical service staff here at Rhino Tool Company is standing by to assist you if you require assistance. Our fully trained staff can ensure that you receive the correct rebuild kit and can walk you through the process of rebuilding your post driver if you experience difficulty. If it is the engine that requires scheduled maintenance, keep in mind that your Honda service dealer is fully equipped and specially trained in servicing the Honda engine. Your Honda servicing dealer is dedicated to your satisfaction, and will be pleased to answer your questions and concerns.

Again, congratulations on your selection and from the dedicated team here at Rhino Tool Company, THANK YOU for choosing a genuine Rhino® post driver.

Kindest Regards,
The Rhino Tool Team

Rhino® GPD-30 DRIVER SAFETY

IMPORTANT SAFETY INFORMATION

The Rhino® GPD-30 Honda® powered gas operated post driver is designed to drive fence posts, ground rod, post delineator posts, grape stakes, form pins, tent stakes and other like items into the ground. Uses, other than those intended, can result in injury to the operator as well as those around the operator. Damage to the driver and to the surrounding area may result as well.

This post driver is intended for use by professional installers. Never allow children to operate this tool.

Most accidents can be prevented if you follow all instructions in this manual and on the post driver. The most common hazards are discussed below, along with the best method to protect yourself and others.

⚠ WARNING **UNDERGROUND UTILITIES:** Driving a post into an underground utility can be **EXTREMELY DANGEROUS**, exposing the operator and those around to potentially life threatening danger. Damage to surrounding property can also occur as a

result of a post being driven into an underground utility. Be absolutely certain that you are aware of all underground utilities in the area in which you intend to drive posts. Ensure that a certified locating service has identified all underground utilities prior to beginning your project. Failure to do so can be catastrophic. Underground utilities include but are not limited to: Electric, Gas, Telephone, Water, Sewer, TV Cable, Lawn Sprinklers, etc.

⚠ WARNING **GASOLINE:** Gasoline is **HIGHLY FLAMMABLE** and **EXPLOSIVE**. You can be burned or seriously injured when handling fuel.

⚠ WARNING **EXHAUST:** The exhaust from the engine contains poisonous carbon monoxide gas that can build up to dangerous levels in closed areas. Breathing carbon monoxide can cause unconsciousness or death.

Never run the engine in a closed or even partly closed area where people may be present.

⚠ WARNING The engine exhaust from this product contains chemicals known to the State of California to cause cancer, birth defects or other reproductive harm.

⚠ WARNING **ENGINE MAINTENANCE:** Improperly maintaining the engine on this power tool, or failure to correct a problem before operation, can cause a malfunction in which you can be seriously hurt or killed.

In accordance with the engine owner's manual, always perform a pre-operation inspection of the engine before each use and correct any problem.

⚠ WARNING **DRIVER MAINTENANCE:** Improperly maintaining the driving mechanism on this power tool, or failure to correct a problem before operation, can cause a malfunction in which you can be seriously hurt or killed.

In accordance with this manual, always perform a pre-operation inspection of the

driving mechanism before each use and correct any problem.

WARNING Do not lend or rent your post driver without the instruction manuals. Be sure that anyone using it understands the information contained in these manuals.

WARNING Do not use this post driver for any purpose other than driving posts into the ground. Misuse may result in personal injury or property damage, including damage to the machine

WARNING Minors should never be allowed to use this power tool. Bystanders, especially children, and animals should not be allowed in the area where it is in use.

WARNING **NEVER** let your power tool run unattended. When it is not in use, shut it off and make sure that unauthorized persons do not use it.

WARNING Do not operate this post driver unless the operator is wearing safety glasses, safety shoes, hearing protection, gloves or any other safety equipment advised by, ANSI, NIOSH, OSHA, or any other safety regulatory agency, or the employer or the owner of this post driver.

Bystanders should, at a minimum, wear safety glasses and hearing protection while in the presence of this power tool during operation.

WARNING Prolonged use of a power tool (or other machines) exposing the operator to vibrations may produce white finger disease (Raynaud's phenomenon) or carpal tunnel syndrome.

These conditions reduce the hand's ability to feel and regulate temperature, produce numbness and burning sensations and may cause nerve and circulation damage and tissue necrosis.

Not all factors contributing to white finger disease are known, but cold weather,

IMPORTANT SAFETY INFORMATION

smoking and diseases or physical conditions that affect blood vessels and blood transport, as well as high vibration levels and long periods of exposure to vibration are mentioned as factors in the development of white finger disease. In order to reduce the risk of white finger disease and carpal tunnel syndrome, please note the following:

- The Rhino GPD-30 has been designed with spring dampened anti-vibration handles to reduce the transmission of vibrations created by the machine to the operator's hands. An anti-vibration system is recommended for those persons using power tools on a regular or sustained basis.
- The handle opposite the throttle handle has been fitted with an EVA foam grip further dampening vibrations.
- Wear gloves and keep your hands warm.
- Ensure that the EVA foam and the spring dampening system are in good working condition.

GPD-30 DRIVER SAFETY... continued

- Ensure the post driver has no loose components. Loose components lead to high vibration levels.
- Maintain a firm grip at all times, but do not squeeze the handles with constant, excessive pressure. Take frequent breaks.

All of the above mentioned precautions do not guarantee that you will not sustain white finger disease or carpal tunnel syndrome. Therefore, continual and regular users should closely monitor the condition of their hands and fingers. If any of the above symptoms appear, seek medical advice immediately.



DO NOT modify this power tool in any way.



DO NOT put anything other than a post into the chuck on the driver.



DO NOT operate your post driver unless it is on a post to be driven. Operation of the driver without it driving on a post could damage the power tool.



SURROUNDINGS: This power tool emits noise which may be disturbing to animals and livestock. Ensure prior to operation,

IMPORTANT SAFETY INFORMATION

that any livestock are cleared from the operational area to prevent a situation in which startled livestock become a safety hazard.

WARNING LABELS

If your post driver's warning label is marred or destroyed, replace it immediately. Simply call Rhino Tool Company and we will send you a new warning label at no expense to you.

Rhino® GPD-30 Operating Instructions

Your Rhino® GPD-30 Gas Operated Post Driver is an efficient and effective power tool designed and developed to tackle a difficult and time consuming task; driving posts. It does not matter if your post is a T-post, round post, ground rod, grape stake, silt fence or other post the Rhino® GPD-30 is the tool of choice.

It is very important to understand that your post driver is a very powerful machine; it has to be to do the very difficult job it is designed to perform. With proper care and maintenance, your Rhino® GPD-30 will give you many years of trouble free service.

You must read and understand your post driver operating instructions before using the post driver. It is also very important that you make sure all operators are trained to operate your post driver safely. If you or any operator doesn't understand any of the instructions in this manual, call Rhino Tool Company at 866-707-1808 or 309-853-5555 and we will be happy to answer any questions you may have.

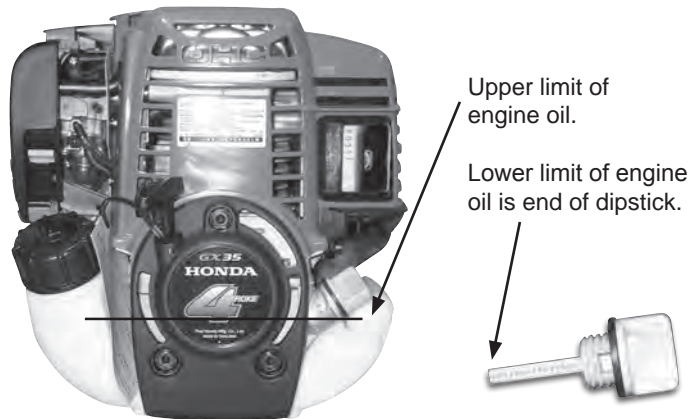


AVOID SERIOUS INJURY OR DEATH
READ THIS MANUAL BEFORE
USING YOUR POST DRIVER

Visually inspect your Rhino GPD-30 Post Driver before use. The interior of the chuck tube should be checked for obstructions, damage or wear to the chuck tube and anvil inside. The outer surfaces of the driver should also be inspected for any defects. Do not use the GPD-30 if there is any damage or wear until the damage or wear is corrected and repaired.

Check all fluid levels, i.e. engine oil and fuel and fill as needed as per manufacturer's specifications.

NOTE Proper oil level is essential to the proper operation of the Post Driver. Overfilling of the oil will result in loss of power and may cause permanent damage to the engine.





USE ALL RECOMMENDED SAFETY EQUIPMENT.

Secure the driver on a solid surface, i.e. tailgate, bench, or clear, solid ground and posture your body in a safe position. **DO NOT** start the driver anywhere but an open, well-ventilated area. It is recommended that the GPD-30 only be used outdoors and never inside an enclosed building.

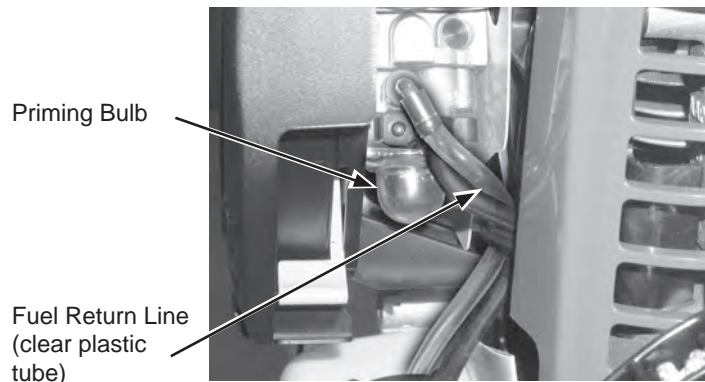
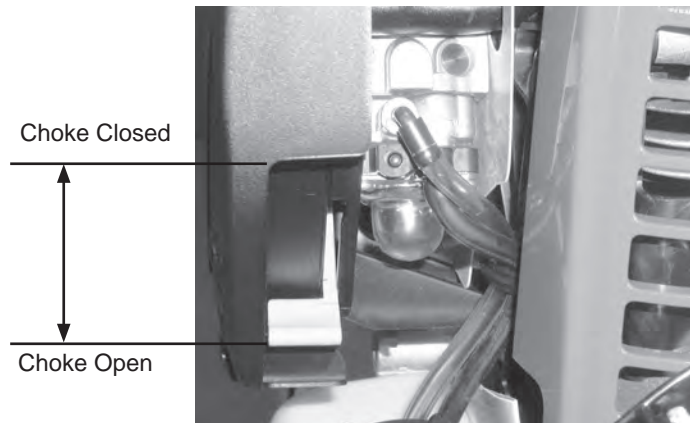
Starting the Engine:

To start a **COLD** engine, move the choke lever to the **CLOSED** position. Lock the throttle by depressing the trigger and while the trigger is depressed, push in the yellow button next to the thumb switch. Hold the yellow button in and release the trigger. The throttle is now in the high idle position.

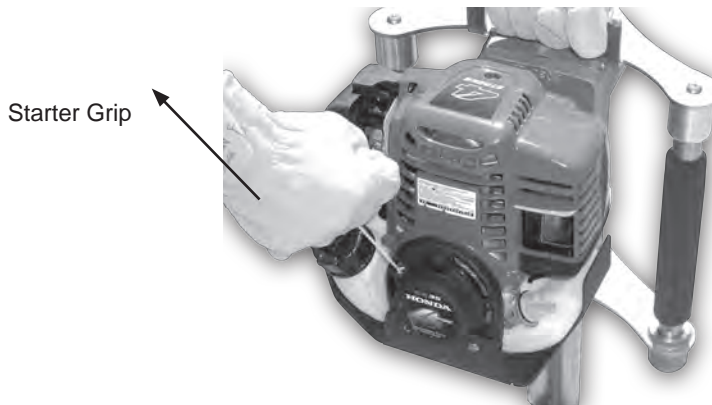
To start a **WARM** engine, leave the choke lever in the **OPEN** position and do not lock the throttle into the high idle position.

Press the priming bulb repeatedly until fuel can be seen in the clear-plastic fuel return tube.

Slide red thumb switch on throttle handle down or into the **ON** position.



Grasp the starter grip lightly until you feel resistance, then pull briskly in the direction of the arrow as shown below. Return the starter grip gently.



NOTE Do not allow the starter grip to snap back against the engine. Return it gently to prevent damage to the starter. Never wrap the starter rope around your hand. This will cause serious injury to the operator.

If the choke lever was moved to the **CLOSED** position to start the engine, gradually move it to the open position as the engine warms up. As the engine warms up also release the high idle lock by slightly depressing the trigger and then immediately releasing it. Use caution as to not engage the clutch.

Hot Restart

If the engine is operated at higher ambient temperatures, then turned off and allowed to sit for a short time, it may not restart on the first pull. If necessary, use the following procedure:

WARNING Failure to follow instructions can result in personal injury

IMPORTANT SAFETY PRECAUTION

Turn the engine switch to the **OFF** position before performing the following procedure. This will prevent the engine for starting and running at maximum speed when the throttle is in the **MAX.** speed position. If the engine starts with the throttle in the **MAX.** speed position, the post driver will operate at maximum power. This may result in **personal injury** and damage to the post driver.

1. Turn the engine switch on the post driver to the **OFF** position.
2. Move the choke lever to the **OPEN** position.
3. Hold the throttle in the **MAX** speed position.
4. Pull the starter grip 3 to 5 times.

Follow the **STARTING THE ENGINE** procedure on the previous page and start the engine with the choke lever in the **OPEN** position.

DRIVING A POST:

Insert a post into the GPD-30 making sure the end of the post to be driven is in the correct position on the ground.

Apply steady downward pressure to the handles and apply enough throttle to engage the clutch and hammer.

Once you are confident that the post is driving straight, apply full throttle to the driver until the post is driven to the desired depth.

Release the trigger dropping the engine RPM back to idle before removing from the post. When the engine has returned to idle, proceed to the next post repeating the previous method of driving a post.

MAINTENANCE OF THE GPD-30



NEVER REFUEL WITH THE ENGINE HOT OR RUNNING

Never refuel your GPD-30 with the engine hot or running as there is a possibility the flammable fumes from the gasoline can ignite, causing severe injury and/or damage to your GPD-30 and surrounding area. Follow engine manufacturer's instructions for the refueling of the engine.

With each use check the engine oil level, air filter, and all fasteners. If necessary, add oil, clean or replace the air filter and tighten any loose nuts, bolts, or any other fastener.

Change engine oil as per engine manufacturer's specifications. Dispose of used oil in accordance with any local, state, or federal regulations.

To help insure years of operation, wipe down the GPD-30 with a clean rag after each days use.

**Refer to the Service Instructions for more In Depth
Maintenance of the Post Driver.**

Rhino® GPD-30 Service Instructions

Service Details for the Rhino GPD-30 Post Driver

Following the service requirements for the GPD-30 will insure years of trouble free post driving. Always refer to the Honda GX35 manual for maintenance and service on the engine. The instructions below are for the Rhino GPD-30 specifically with general instructions for the Honda GX35. Before any service is preformed, remove the spark plug wire from the spark plug and ground it to the engine body to prevent any accidental start-up of the engine.

Each Use:

1. Check engine oil level. Use SAE 10W-30 to top oil level off, if necessary.
2. Check engine air cleaner. If soiled, clean or replace.
3. Check all engine and post driver fasteners. Retighten to proper specifications if necessary.

First 10 Hours Use of a New or Rebuilt GPD-30

1. Change engine oil following the requirement for the Honda GX35. Dispose of used oil according to all local, state, and federal regulations.
2. Check all engine and post driver fasteners. Retighten to proper specifications if necessary.

Every 3 Months or 25 Hours of Use

1. Change engine oil following the requirement for the Honda GX35. Dispose of used oil according to all local, state, and federal regulations.
2. Replace air cleaner elements. This should be performed more often if GPD-30 is operated in dusty areas.
3. Check all engine and post driver fasteners. Retighten to proper specifications if necessary

Every 3 Months or 50 Hours of Use

1. Follow the regular scheduled maintenance (each use and 25 hour intervals)
2. Check crankshaft and piston lubrication. See page 10 for instructions.

Every 12 Months or 250 Hours of Use

1. Follow the regular scheduled maintenance (each use, 25 hour and 50 hour intervals)
2. Check crankshaft and piston lubrication. See page 10 for instructions.
3. Remove and service the hammer and anvil. See page 10 for instructions.

Servicing Crankshaft and Piston Lubrication

The tools required for removing the Crankcase Cover is a 9/64” hex wrench, a torque wrench that reads in inch/pounds, and threadlocker.

Remove the four (4) Bolts (p/n GPD30-714) on the Crankcase Cover (p/n GPD30-130) and remove the cover (**Fig. 1**). Use caution not to lose or damage the O-ring Seal (p/n GPD30-602). Inspect the color and amount of grease inside the crankcase. There should be a liberal amount of grease coating the inside of the crankcase (**Fig. 2**).

If the amount of grease appears to be low, add a small amount of grease. Use only Rhino approved grease. If the grease is discolored, very dark or black, the post driver will need further maintenance. This is detailed in the section titled “Service of the Hammer and Anvil.”

When the required service has been performed in the crankcase, inspect the O-ring Seal and replace it on the Crankcase Cover. Position the Crankcase Cover on the GPD-30 Body. Apply threadlocker to the Bolts. Start the four (4) Bolts by hand. After the Bolts are started, tighten in a “star” pattern. Torque to 19.8 **inch/pounds**.



Fig. 1 - Crankcase Cover



Fig. 2 - Inspect color and amount of grease.

Service of the Hammer and Anvil

The tools required for servicing the Hammer and Anvil are, a 9/64" hex wrench, a 1/4" hex wrench, a 7/8" deep well socket with handle, a torque wrench that reads in inch/pounds, and threadlocker.

Remove the four (4) bolts in the bottom of the Lower Driver Body (p/n GPD30-030). Use caution as the Handle Tubes (p/n GPD30-220) have Anti-Vibration Springs (p/n GPD30-720) installed and they are under tension. When the Lower Driver Body is removed, it should appear as shown in **Fig. 3**. The Anvil O-ring Retainer (p/n GPD30-110) will sometimes be removed with the Lower Driver Body or remain in place.

Remove the Anvil O-ring Cup (p/n GPD30-090) and the Anvil (p/n GPD30-160). This can be



Fig. 3 - View when Lower Driver Body removed.

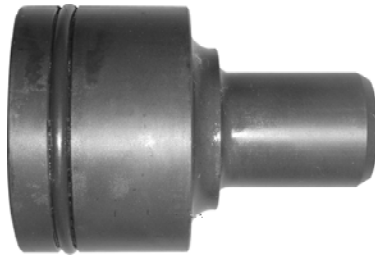
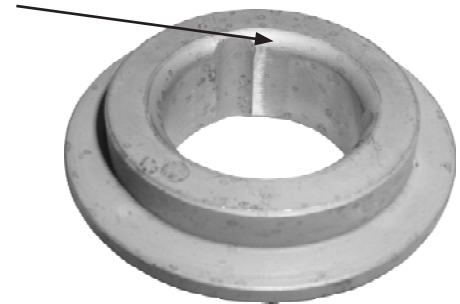


Fig. 4 - Anvil with O-ring in place.

easily accomplished by pushing a 1" dowel rod or hammer handle into the chuck tube from the opposite side. When the parts are removed, note the order and disassemble for inspection. Check the Anvil for any wear. The Anvil O-ring (p/n GPD30-606) should be replaced at this time. Clean the Anvil and carefully replace the Anvil O-ring. **Fig 4** shows an Anvil with the O-ring in place.

Remove the Large Retainer O-ring Seals (p/n GPD30-604) and the Large Retainer (p/n GPD30-100) from the Anvil O-ring Cup. Note the position of the Large Retainer. The side with the radius on the inside is positioned toward the Anvil. This is critical as incorrect assembly can damage the driver. See **Fig. 5**.

Fig. 5 - Please note the radius as this side of the large retainer is assembled toward the Anvil.



Inspect the Large Retainer. The Large Retainer O-ring Seals should be replaced at this time. Replace the Large Retainer if there are any signs of damage or excessive wear.

The Anvil O-ring Retainer can be removed from the end of the cylinder in the Post Driver Body (p/n GPD30-010) by hand.

Use caution as it can become sharp with use of the driver. Remove the Hammer (p/n GPD30-080), Piston (p/n GPD30-060) and Connecting Rod (p/n GPD30-072) by removing the Crank Pin (p/n GPD30-050). Access to the Crank Pin is achieved by removing the Crankcase Cover, which is described in the section titled "Servicing Crankshaft and Piston Lubrication" shown in the previous pages of this manual. Remove the Crank Pin using the 7/8" deep well socket. The Crank Pin has **LEFT-HAND THREADS**. Use caution holding the Connecting Rod and Crankshaft (p/n GPD30-040). The Connecting Rod and Crankshaft can be damaged. Use a small wood or plastic block to keep the Crankshaft from rotating. When the Crank Pin is removed, the Piston, Connecting Rod, Hammer can be removed by pushing the Connecting Rod down into the cylinder until it can be removed from the bottom of the Post Driver Body. Note position of the Hammer. The small end of the Hammer is toward the Anvil as shown in **Fig. 6**. Clean and inspect the Hammer for damage or excessive wear. The Hammer O-ring Seal should be replaced at this time.



Fig. 6 - Small end of Hammer is toward the anvil.

Clean and inspect the Piston and Connecting Rod. Insert the Crank Pin into the bearing on the Connecting Rod. If there is excessive play or side movement between the two, the Connecting

Rod and possibly the Crank Pin should be replaced. Check the movement in the bearing in the Piston side. If there is excessive play the Connecting Rod should be replaced. The Piston O-ring Seal (p/n GPD30-600) should be replaced at this time. See **Fig. 7**.



Fig. 7 - Piston with Connecting Rod and O-ring Seal in place.

Clean and inspect the cylinder and crankcase for any damage or wear. Replace any damaged parts. Lubricate the Cylinder, Piston, and Connecting Rod with Rhino approved grease. Insert the Connecting Rod, with the Piston attached, into the Cylinder. Push the Piston up the Cylinder until the bearing in the Connection Rod aligns with the threaded hole for the Crank Pin. Insert the Crank Pin through the bearing and start the threads into the Crankshaft by hand. These are **LEFT-HAND THREADS**. Tighten the Crank Pin using the 7/8" deep well socket. Torque to 228 inch/pounds. Fill the crankcase with Rhino approved grease to the level shown in photo #2. Close the crankcase by placing the Crankcase Cover O-ring Seal onto the Crankcase Cover. Place the Crankcase Cover onto the Post Driver Body and attach using the four (4) Bolts. Apply threadlocker to the Bolts and torque to 19.8 **inch/pounds**.

Lubricate the cylinder and Hammer with Rhino approved grease. Insert the Hammer into the cylinder, taking note of the small end to the Anvil as shown in **Fig. 6**. Push the Hammer into the

cylinder making room to insert the Anvil O-ring Retainer. Apply grease to the Anvil O-ring Retainer and place the small end into the cylinder. The grease should hold it in place.

Lubricate and assemble the Large Retainer and the two (2) Large Retainer O-ring Seals in the order shown in **Fig. 8** and assemble into the Anvil O-ring Cup. Note that the radius on the Large Retainer is on the Anvil side.

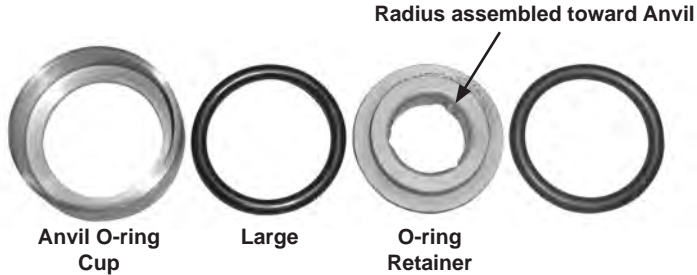


Fig. 8 - Insert O-ring into Anvil O-ring cup, then insert Large Retainer (note radius position), then insert other O-ring.

Clean and inspect the Chuck Tube (p/n GPD30-150) and Lower Driver Body (p/n GPD30-030) for any damage or excessive wear. Replace if necessary. Lubricate Chuck Tube with grease. Lubricate the Anvil with grease. Insert the Anvil with new Anvil O-ring into Chuck Tube, making certain that the Anvil is seated into the Chuck Tube. Insert the Anvil O-ring Cup into the Chuck Tube. Replace the Chuck Tube O-ring (p/n GPD30-608) and insert the Chuck Tube O-ring onto the Chuck Tube. It should look like **Fig. 8**.

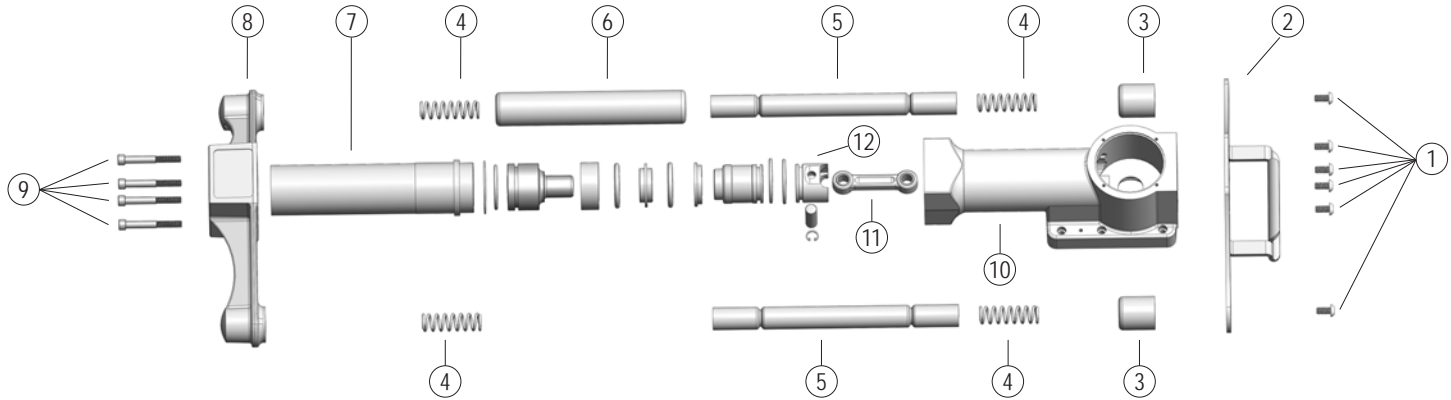
Remove the Handle Tubes from the Handle Cups and remove and clean and lubricate all four (4) Anti-Vibration Springs. Check all handle cups for wear. Clean and Lubricate the upper and lower cups the Handle Tubes fit into with a small amount of grease. Insert the Anti-Vibration Springs into the Handle Tubes. Assemble the Handle Tubes into the Upper Handle Cups. Insert the Chuck



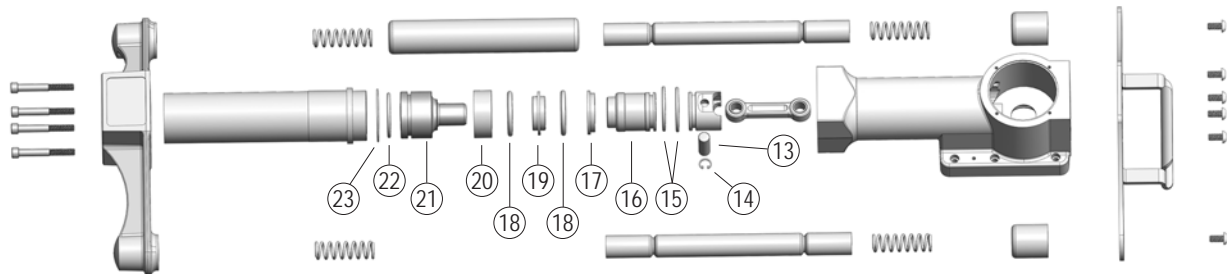
Fig. 8 - Elements reassembled into chuck tube.

Tube into the Post Driver Body, taking care to insert the Handle Tubes into the handle cups on the Lower Driver Body. When parts are inserted in the proper position, there will be resistance from the Anti-Vibration Springs to seat the Lower Driver Body on to the Post Driver Body. This is normal. Apply threadlocker to the Bolts. Insert and hand thread the four (4) Lower Body Bolts through the Lower Driver Body into the Post Driver Body. Use a 1/4" hex wrench to tighten the bolts in a star pattern until the Lower Driver Body is seated on the Post Driver Body. Check for any misalignment or binding when joining the parts. Do not use excessive force. Torque the Lower Body Bolts to 132 **inch/pounds**. Perform a visual check of the post driver. Reconnect the spark plug wire to the spark plug. Check that the engine has the proper amount of oil. Start the engine using the proper procedure and test the post driver.

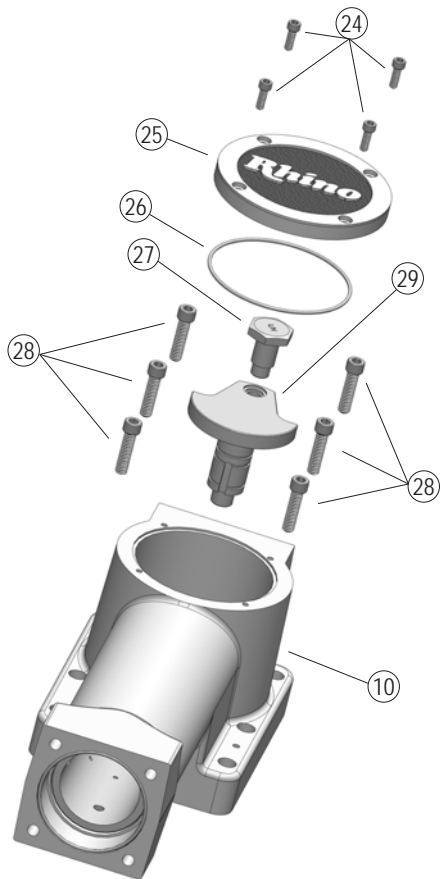
Rhino® GPD-30 Driver Parts List



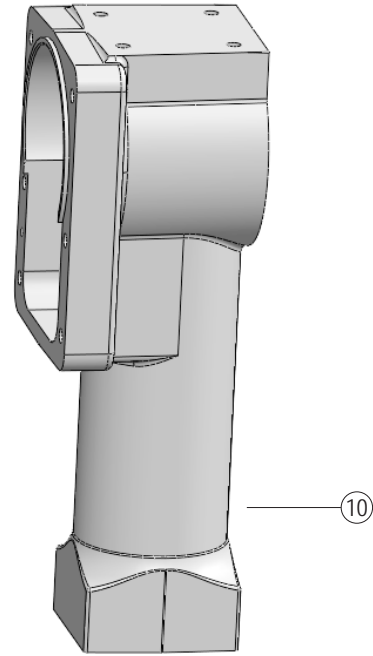
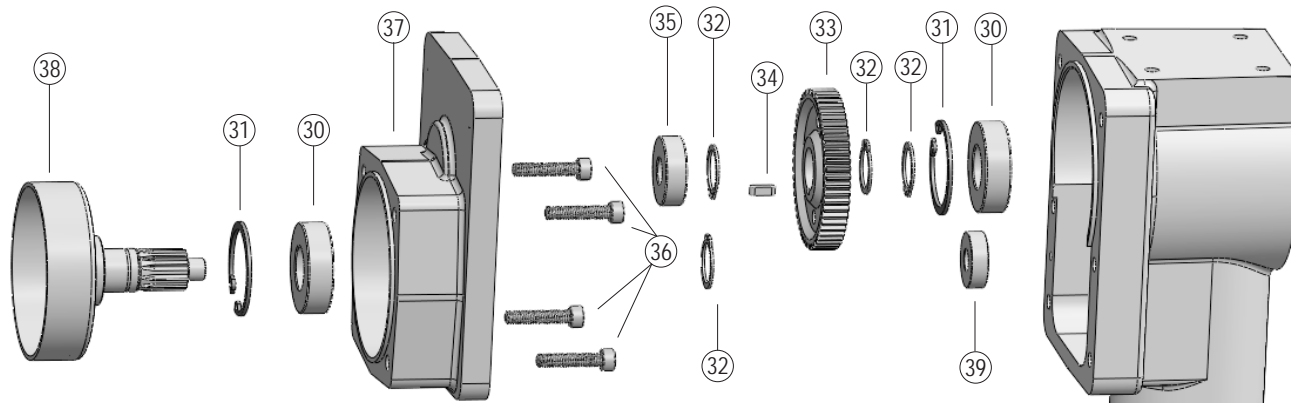
Number	Part No.	Name	Number	Part No.	Name
1	GPD30-710	Top Handle Bolts (6 per driver)	7	GPD30-150	Chuck Tube
2	GPD30-110	Upper Handle	8	GPD30-030	Lower Driver Body
3	GPD30-230	Handle Cup (2 per driver)	9	GPD30-702	Lower Body Bolts (4 per driver)
4	GPD30-720	Handle Anti-Vibration Spring (4 per driver)	10	GPD30-015	Post Driver Body with Cylinder and Bearings
5	GPD30-220	Handle Tube (2 per driver)	11	GPD30-072	Connecting Rod with Bearings
6	GPD30-221	EPDM Handle Grip	12	GPD30-060	Piston



Number	Part No.	Name	Number	Part No.	Name
13	GPD30-170	Wrist Pin	19	GPD30-100	Large Retainer
14	GPD30-781	Piston Retaining Ring	20	GPD30-090	Anvil O-ring Cup
15	GPD30-600	Piston O-ring Seal and Hammer O-ring Seal	21	GPD30-160	Anvil
16	GPD30-080	Hammer	22	GPD30-606	Anvil O-ring
17	GPD30-110	Anvil O-ring Retainer	23	GPD30-608	Chuck Tube O-ring Seal
18	GPD30-604	Large Retainer O-ring Seal (2 per Driver)			

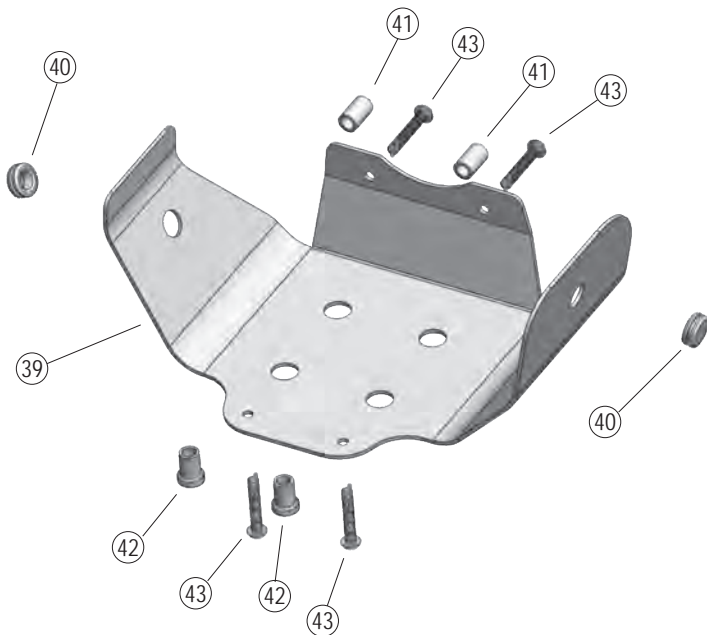


Number	Part No.	Name
10	GPD30-015	Post Driver Body with Cylinder and Bearings
24	GPD30-714	Crankcase Cover Bolts (4 per driver)
25	GPD30-130	Crankcase Cover
26	GPD30-602	Crankcase Cover O-ring Seal
27	GPD30-050	Crank Pin
28	GPD30-704	Crankcase Bolts (6 per driver)
29	GPD30-040	Crankshaft



Number	Part No.	Name
10	GPD30-015	Post Driver Body with Cylinder and Bearings
30	GPD30-420	Large Bearing for Crankshaft & Clutch Drum with Pinion Gear (2 per driver)
31	GPD30-780	Large Retaining Ring for Bearings (2 per driver)
32	GPD30-782	Retaining Ring for Crankshaft & Clutch Drum with Pinion Gear (4 per driver)
33	GPD30-200	Gear
34	GPD30-730	Key
35	GPD30-410	Crankshaft Bearing
36	GPD30-700	Clutch Housing Bolts
37	GPD30-025	Clutch Housing with Bearings
38	GPD30-120	Clutch Drum with Pinion Gear
39	GPD30-400	Pinion Gear Bearing

Number	Part No.	Name
39	GPD30-180	Shroud
40	GPD30-181	Grommet
41	GPD30-190	Shroud Spacer
42	GPD30-195	Lower Shroud Spacer
43	GPD30-200	Shroud Bolt 1



Parts Not Shown

Number	Part No.	Name
	GPD30-240	Honda GX-35 Engine
	GPD30-250	Handle and Throttle Control Assembly Complete
	GPD30-800	GPD-30 Operating, Safety, & Parts Manual
	GPD30-805	Safety Label and Tag Set
	GPD30-500	GPD-30 Grease
	GPD30-505	Service Kit for GPD-30
	Honda Engine Parts	Honda Engine Parts are Available from Your Local Honda Dealer

Rhino® Limited Warranty

Gasoline Powered Post Drivers...

Warranty: RHINO TOOL COMPANY warrants to the original purchaser for a period of thirty (30) days from the date of purchase that its Gasoline Powered Post Driver is from defects in manufacture and materials. In the event of a manufacturing defect during the Warranty period, the Post Driver must be returned freight prepaid to RHINO TOOL COMPANY. If inspection shows a defect in material or workmanship, RHINO will repair or replace without charge.

Exclusive Remedy: The sole and exclusive remedy under this Warranty is repair or replacement of the product by RHINO TOOL COMPANY.

Disclaimer: In no event shall RHINO TOOL COMPANY be liable for indirect, incidental or consequential damages arising from the sale or use of this product, at any time. RHINO TOOL COMPANY disclaims liability for any implied warranties, including implied warranties of "Merchantability" and "Fitness for a Specific Purpose".

Limitation: This Warranty DOES NOT APPLY to the physical appearance

Limited Warranty... continued

of any product or to any product that has been misused, abused, improperly maintained, altered or repaired by unauthorized persons, or to repairs required by normal wear and tear.

Extended: The purchaser may extend the original **LIMITED WARRANTY** above to **ONE YEAR** from the date of purchase, by sending a completed

Rhino Owner Registration Card to **RHINO TOOL COMPANY WITHIN THIRTY (30) DAYS OF DATE OF PURCHASE.**

Transferability: The above Limited Warranty is non-transferable



IMPORTANT

Instructions for obtaining optional extended warranty...

You must complete your Owner Registration Card (please type or print) and mail it within thirty (30) days of purchase to:

Rhino Tool Company
620 Andrews Ave.
PO Box 111
Kewanee, IL 61443

Rhino will confirm your extended warranty after receiving your Owner Registration Card.



Owner Registration

(please type or print)

Model No. _____ Serial No. _____

Owner _____

Address _____

City _____ County _____

State _____ Zip _____ Phone _____

Email _____ Date Purchased _____

Please circle the appropriate answer to the following questions.

How is this post driver to be used? Personal – Commercial – Rental – Farm and Ranch

Please rate your experience with the dealer you purchased this post driver from with 1 being poor and 5 excellent. 1 2 3 4 5

Let us know if you have any comments about your buying experience or comments about the post driver. _____



BUSINESS REPLY MAIL
FIRST-CLASS MAIL PERMIT NO. 111 KEWANEE IL

POSTAGE WILL BE PAID BY ADDRESSEE

Rhino.



RHINO TOOL COMPANY
620 ANDREWS AVENUE
PO BOX 111
KEWANEE IL 61443-9980

NO POSTAGE
NECESSARY
IF MAILED
IN THE UNITED
STATES



GPD-30 Trouble Shooting

Symptom	Explanation/Procedure
Post lodged in the driver	<p>In the event that a driven post flares and becomes lodged within the chuck, follow these steps:</p> <ol style="list-style-type: none"> 1. Remove the four 5/16" lower body bolts and separate the lower body casting from the driver body. 2. Slide the lower body casting down the post to expose the flared top of the post. With the proper cutting tool for the type of post, cut through the post below the flared portion. 3. Once the flared portion is removed, slide the lower body casting off the post and reassemble it to the driver. Please follow bolt tightening procedure and use thread locker solution.
Drives post slow or sluggish engine performance	<p>Typically this is resulting from improper driver storage or over-filling the oil causing the oil to seep into the combustion chamber.</p> <p>Position the driver vertically, remove the dipstick to check oil level. (See page 6) If you need to remove some oil, dispose of it properly.</p> <p>If oil is at proper level, follow the procedure listed in "Pull-start is frozen or hard to pull." It also is good practice to wipe clean the engine after use.</p>
Pull-start is frozen or hard to pull	<p>This typically results from oil seeping into the combustion chamber from improper driver storage or overfilling the oil reservoir of the engine.</p> <p>Remove spark plug and pull hand grip a several times until it pulls freely.</p> <p>Replace the spark plug. Check the oil level in oil reservoir to ensure proper level (page 6). Follow starting procedure. It is not unusual, for blue smoke to be emitted from the engine, let the engine run until smoke clears.</p> <p>Proper Storage: When storing your GPD-30, do not lay it horizontally on the driver side or resting on the engine. If the unit cannot be stored securely in the upright position, place the chuck on the flat surface, lean it toward the engine side until it is supported by the shroud and chuck. This will position the driver on an angle with the top handle at the topmost point.</p>
Other problems or technical questions	<p>Have your serial number handy and contact Rhino Tool Company.</p> <p>Phone: 309.853.5555 or Toll Free 866-707-1808, Fax:309.856.5905, Email: info@rhinotool.com</p>

Manufacturing Quality Post Drivers and Post Pullers Since 1977



Drive Home a
RHINO[®]
T O D A Y



© 2012 Rhino Tool Company



Rhino Tool Company

620 Andrews Avenue

Kewanee, IL 61443

P: 309.853.5555 or Toll Free 866-707-1808

F: 309.856.5905

www.rhinotool.com E: info@rhinotool.com