



Rhino FAST FACTS...

PD-45 Air Operated Post Driver & Accessories List

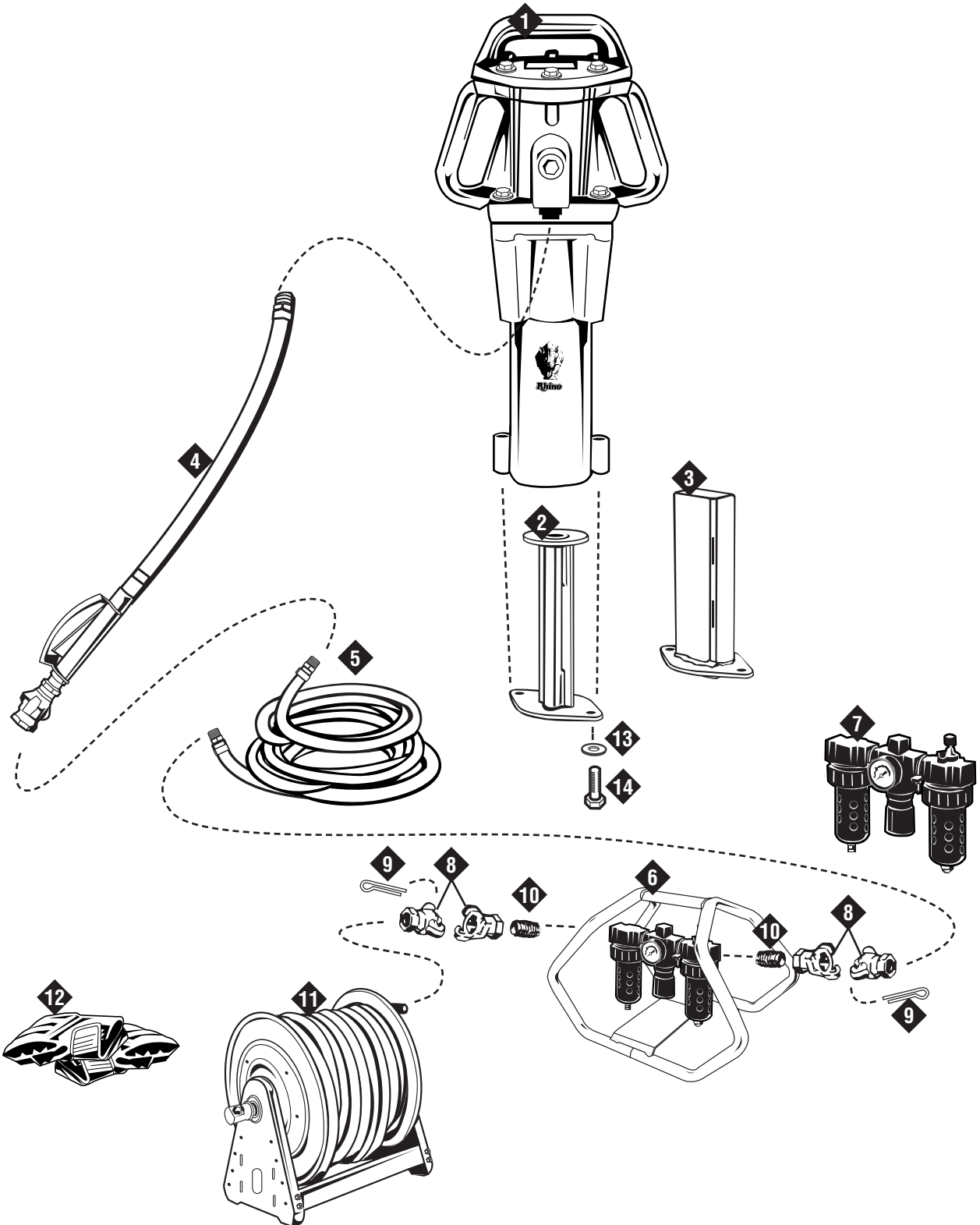
Illus. No.	Part No.	PD-45 Specifications
		<i>(All drivers are equipped with the exclusive Rhino Alloy, Double Valve Piston.)</i>
1	070012	PD-45 Light Duty Post Driver with a 3" (76.2 mm) I.D. Master Chuck, uses 30 CFM (0.85 m ³ /min) @ 90 psi (6.4 kg/cm ²). Approx. Wt. 46.3 lbs (21 kg)
2	070600	2 1/2" (63.5 mm) I.D. Chuck Adapter*
	070601	2" (50.8 mm) I.D. Chuck Adapter*
	070602	1 1/2" (38.1 mm) I.D. Chuck Adapter*
	070603	1" (25.4 mm) I.D. Chuck Adapter*
3	070606	Channel Post Chuck Adapter - 1.2 to 1.5 lbs/ft Posts*
4	600000	Throttle Valve Kit with 2' (61 cm) Hose Assembly, 2 Couplers, 1 Safety Clip.
	605006	3/4" (19 mm) Extra Hose <i>(Only Available to Extend Hose Assembly to Desired Length)</i>
5	607000	3/4" (19 mm) Hose Assembly <i>(Order Length Needed)</i>
6	225001	Carrier for Filter-Regulator-Lubricator
7	601128	Filter-Regulator-Lubricator <i>(Used with all Post Drivers for Operator Safety & Post Driver Protection)</i>
8	606600	Air Line Coupler <i>(Optional on F-R-L)</i>
9	606601	Coupler Safety Clip <i>(Optional on F-R-L)</i>
10	230401	Nipple <i>(Optional on F-R-L)</i>
11	100047	Air Hose Reel with 100 ft (30.5 m), 3/4" (19 mm) Air Hose Included
	100048	100 ft (30.5 m), 3/4" (19 mm) Air Hose Assembly
	100295	Air Hose Reel Only
12	995051	Pair/Anti-Vibration Gloves - Size Small
	995052	Pair/Anti-Vibration Gloves - Size Medium
	995053	Pair/Anti-Vibration Gloves - Size Large
	995054	Pair/Anti-Vibration Gloves - Size X-Large
	995055	Pair/Anti-Vibration Gloves - Size XX-Large
13	517702	Compression Washer
14	500178	Cap Screw

* Note: Includes Necessary Cap Screws and Compression Washers.



Rhino FAST FACTS...

PD-45 Air Operated Post Driver & Accessories cont.



Rhino Tool Company • 620 Andrews Ave., PO Box 111 • Kewanee, IL 61443 • www.rhinotool.com • Tel: 309-853-5555 • Fax: 309-856-5905
Rhino Tool Company has a policy of continuous product improvement and reserves the right to change specifications, designs, or prices at any time without notice or incurring obligations for said changes.

Rhino and  are registered trademarks of Rhino Tool Company. © Copyright 2002 Rhino Tool Company

Printed in U.S.A.

Form 248 - 7/07