



# Rhino FAST FACTS...

## PD-55 Air Operated Post Driver & Accessories List

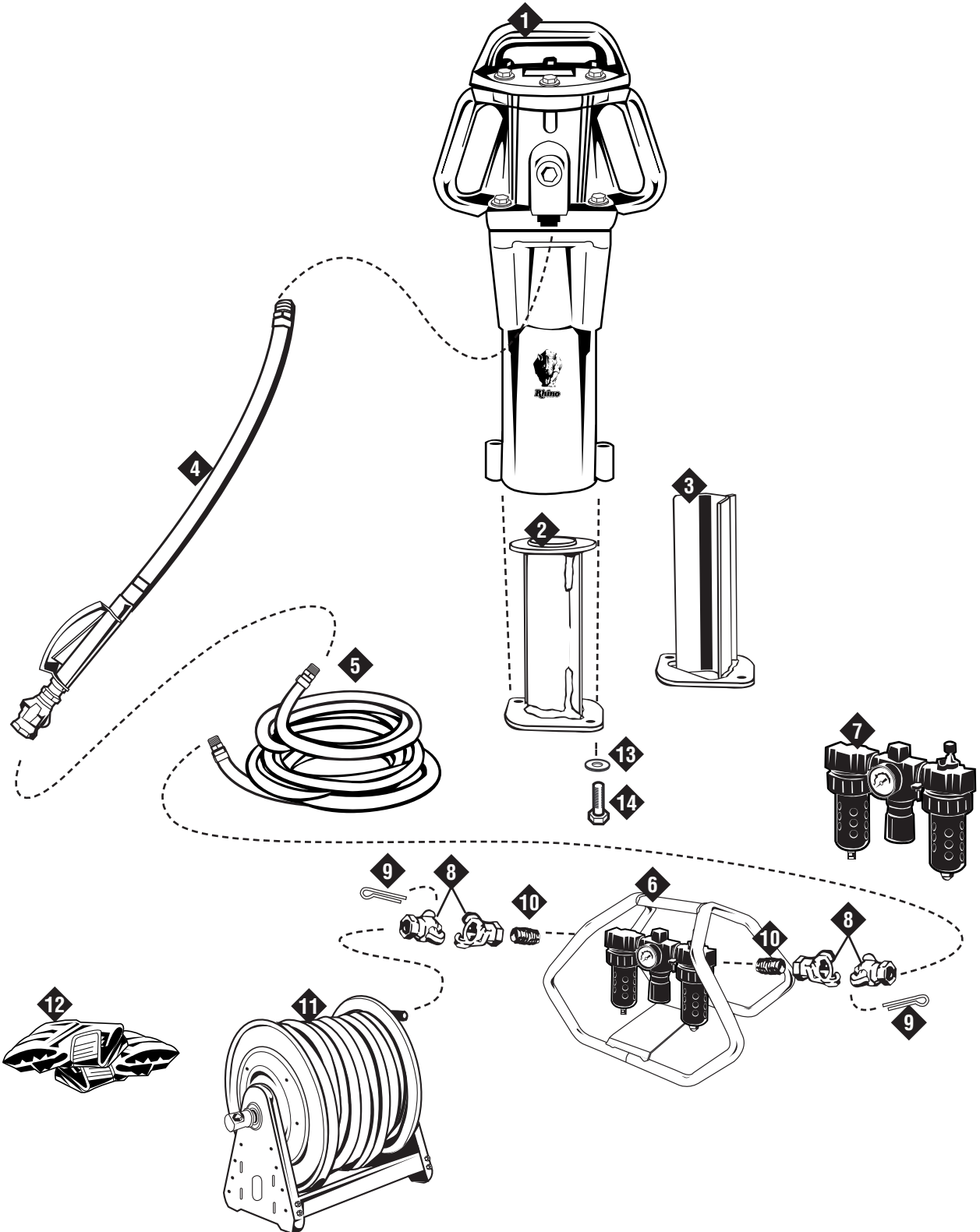
Illus. No.	Part No.	PD-55 Specifications
		<i>(All drivers are equipped with the exclusive Rhino Alloy, Double Valve Piston.)</i>
1	070013	PD-55 Medium Duty Post Driver with a 3 7/8" (98.4 mm) I.D. Master Chuck, uses 42 CFM (1.19 m <sup>3</sup> /min) @ 90 psi (6.4 kg/cm <sup>2</sup> ). Approx. Wt. 54.6 lbs (24.8 kg)
2	070609	3 1/2" (88.9 mm) I.D. Chuck Adapter*
	070610	3" (76.2 mm) I.D. Chuck Adapter*
	070611	2 1/2" (63.5 mm) I.D. Chuck Adapter*
	070612	2" (50.8 mm) I.D. Chuck Adapter*
	070613	1 1/2" (38.1 mm) I.D. Chuck Adapter*
	070614	1" (25.4 mm) I.D. Chuck Adapter*
3	070617	Channel Post Chuck Adapter - 1.2 to 1.5 lbs/ft Posts*
	070618	Channel Post Chuck Adapter - 2 to 2.75 lbs/ft Posts*
	070619	Channel Post Chuck Adapter - 3 to 4 lbs/ft Posts*
4	600000	Throttle Valve Kit with 2' (61 cm) Hose Assembly, 2 Couplers, 1 Safety Clip.
	605006	3/4" (19 mm) Extra Hose <i>(Only Available to Extend Hose Assembly to Desired Length)</i>
5	607000	3/4" (19 mm) Hose Assembly <i>(Order Length Needed)</i>
6	225001	Carrier for Filter-Regulator-Lubricator
7	601128	Filter-Regulator-Lubricator <i>(Used with all Post Drivers for Operator Safety &amp; Post Driver Protection)</i>
8	606600	Air Line Coupler <i>(Optional on F-R-L)</i>
9	606601	Coupler Safety Clip <i>(Optional on F-R-L)</i>
10	230401	Nipple <i>(Optional on F-R-L)</i>
11	100047	Air Hose Reel with 100 ft (30.5 m), 3/4" (19 mm) Air Hose Included
	100048	100 ft (30.5 m), 3/4" (19 mm) Air Hose Assembly
	100295	Air Hose Reel Only
12	995051	Pair/Anti-Vibration Gloves - Size Small
	995052	Pair/Anti-Vibration Gloves - Size Medium
	995053	Pair/Anti-Vibration Gloves - Size Large
	995054	Pair/Anti-Vibration Gloves - Size X-Large
	995055	Pair/Anti-Vibration Gloves - Size XX-Large
13	517702	Compression Washer
14	500178	Cap Screw

\* Note: Includes Necessary Cap Screws and Compression Washers.



# Rhino FAST FACTS...

## PD-55 Air Operated Post Driver & Accessories cont.



Rhino Tool Company • 620 Andrews Ave., PO Box 111 • Kewanee, IL 61443 • [www.rhinotool.com](http://www.rhinotool.com) • Tel: 309-853-5555 • Fax: 309-856-5905  
Rhino Tool Company has a policy of continuous product improvement and reserves the right to change specifications, designs, or prices at any time without notice or incurring obligations for said changes.

**Rhino** and  are registered trademarks of Rhino Tool Company. © Copyright 2002 Rhino Tool Company

Printed in U.S.A.

Form 249 - 7/07