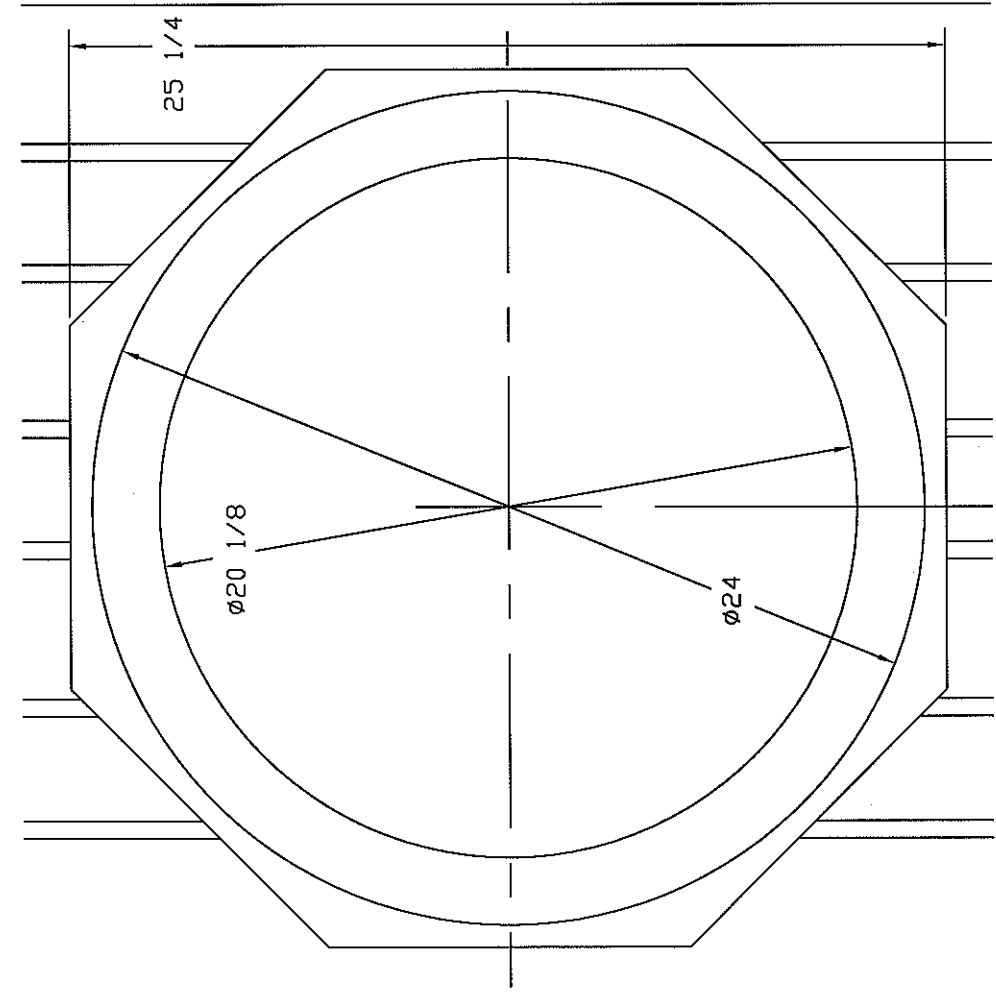
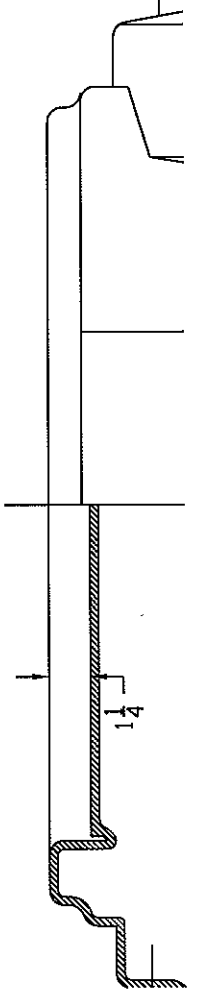


REVISIONS			
ZONE	REV	DESCRIPTION	DATE
	C	REDRAWN, DIMS UPDATED	17FEB97



MANHOLE DETAIL, 1/4 SCALE



NORWESCO
ST. BONIFACIUS, MN

1000 GALLON SEPTIC TANK

JTP	17FEB97	SCALE 1/4"	SHEET 1 OF 2
		FSCM NO.	DWG NO.
		SIZE B	REV C