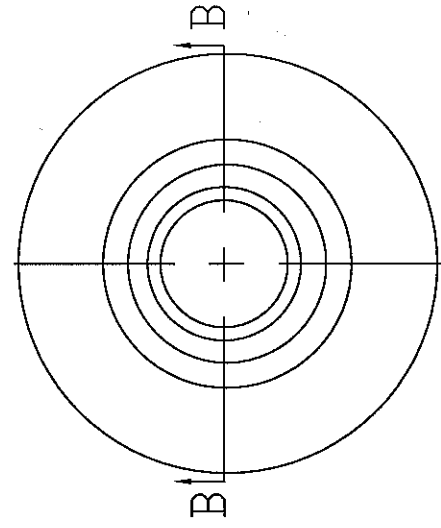
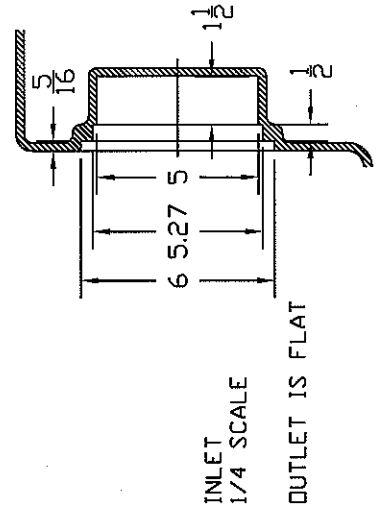
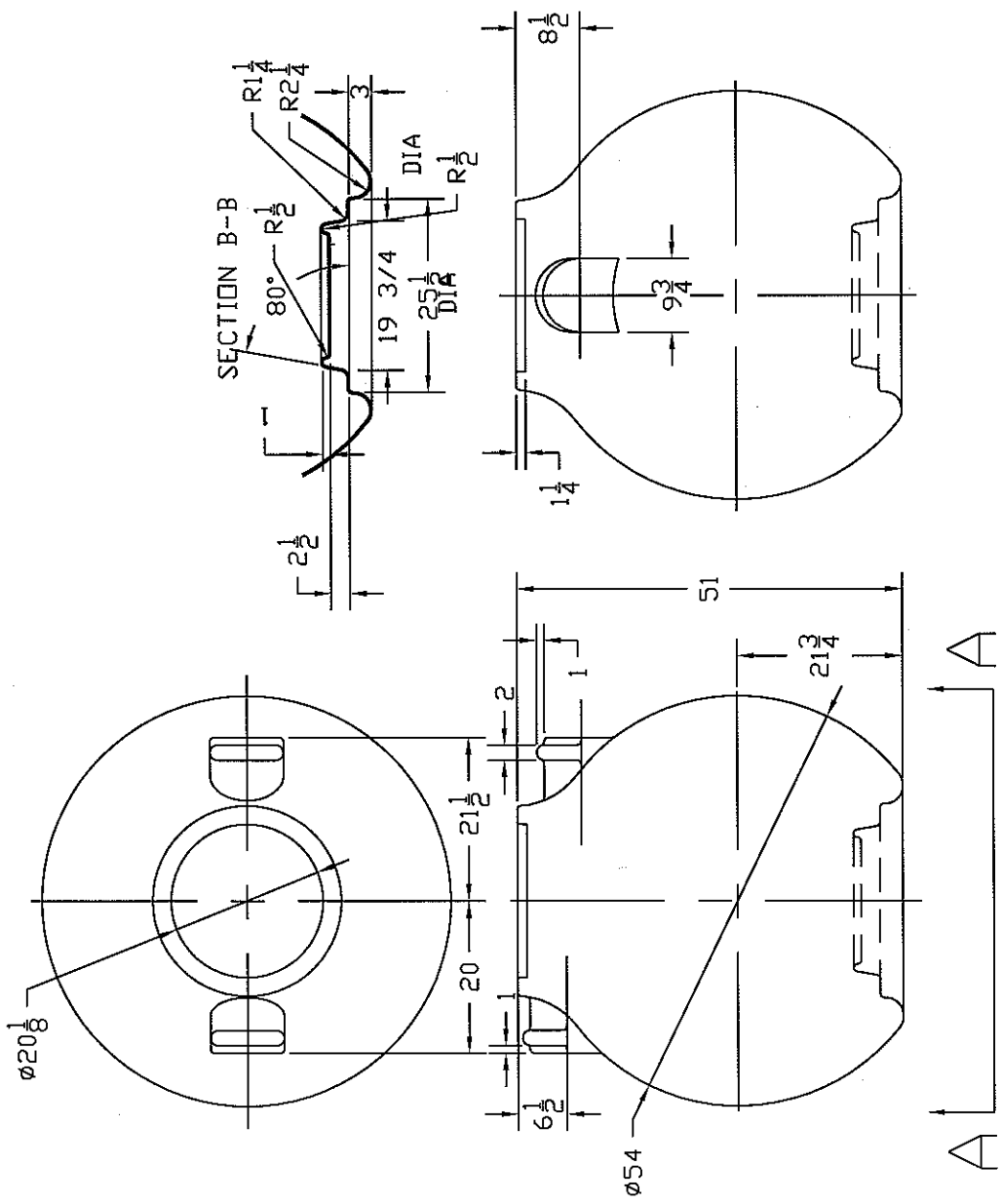


REVISIONS		DESCRIPTION	DATE	APPROVED
ZONE	REV			



VIEW A-A

<b>NORWESCO</b>		ST. BONIFACIUS, MN	
300 GALLON		SEPTIC TANK	
SIZE	FSCM NO.	DWG NO.	REV
JTP 13APR01	B	41319	
SCALE 1/16		SHEET	

AVAILABLE AT ALL LOCATIONS