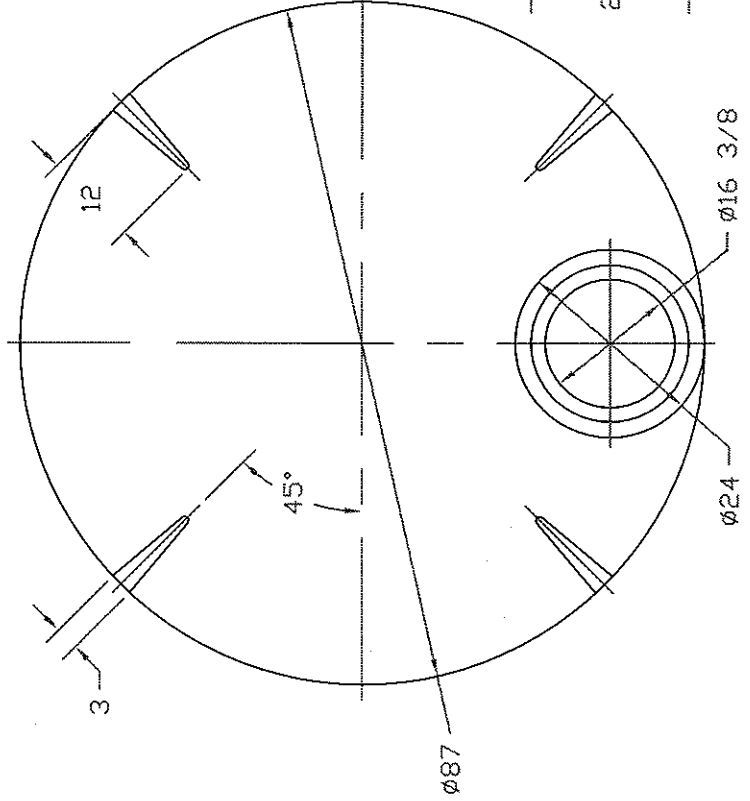
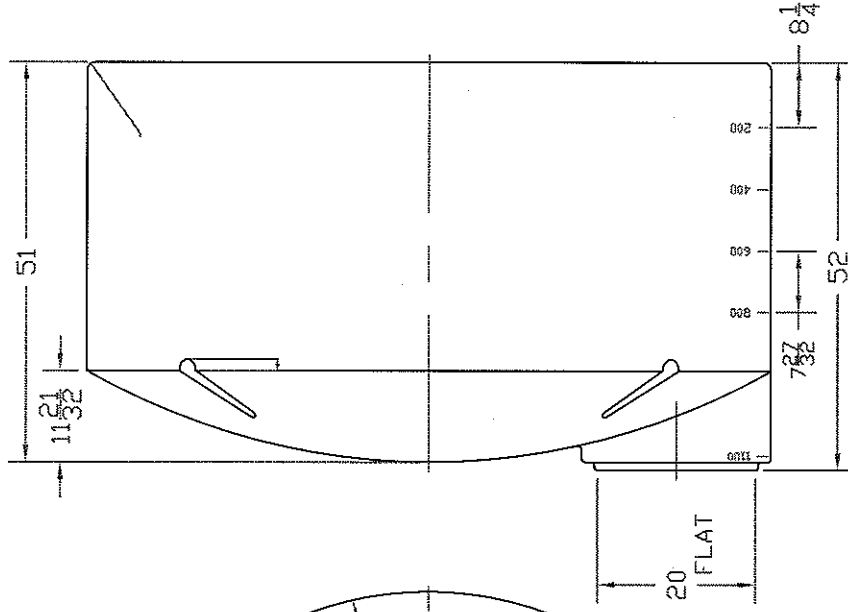


REVISIONS

ZONE	REV	DESCRIPTION	DATE	APPROVED
	C	REDRAWN	02 JAN 97	



**NORWESCO**  
ST. BONIFACIUS, MN

1100 GALLON VERTICAL  
TANK

JTP	02JAN97	FSCM NO.	DWG NO.	REV	C
SCALE 1/16			SHEET		