



LOKKLatch®

SERIES 3

NEW
PRODUCT

Improved Performance & Increased Adjustability With A Stylish New Design



Round
post
model for
chainlink
fences



Long
striker for
superior
adjustability

LIFETIME
WARRANTY

LokkLatch® versatile, durable privacy latch for square and round post gates

- New long striker offers ¼" of increased horizontal adjustability, up to 1 ½"
- Vertical adjustability up to 3/8"
- A minimum of 20% stronger in overall performance than the previous model
- Updated contemporary, stylish design
- No through-post holes required – easy to install
- Optional External Access Button (EAB) allowing independent operation from both sides of gate
- Fits fence posts 1" - 6" deep
- Key lockable - No need for padlock
- Constructed of "metal replacement" industrial-strength UV stabilized polymer and 316 marine-grade stainless steel components
- Extremely durable, won't rust, bind, sag or stain
- Improved drainage for reliability in extreme climates

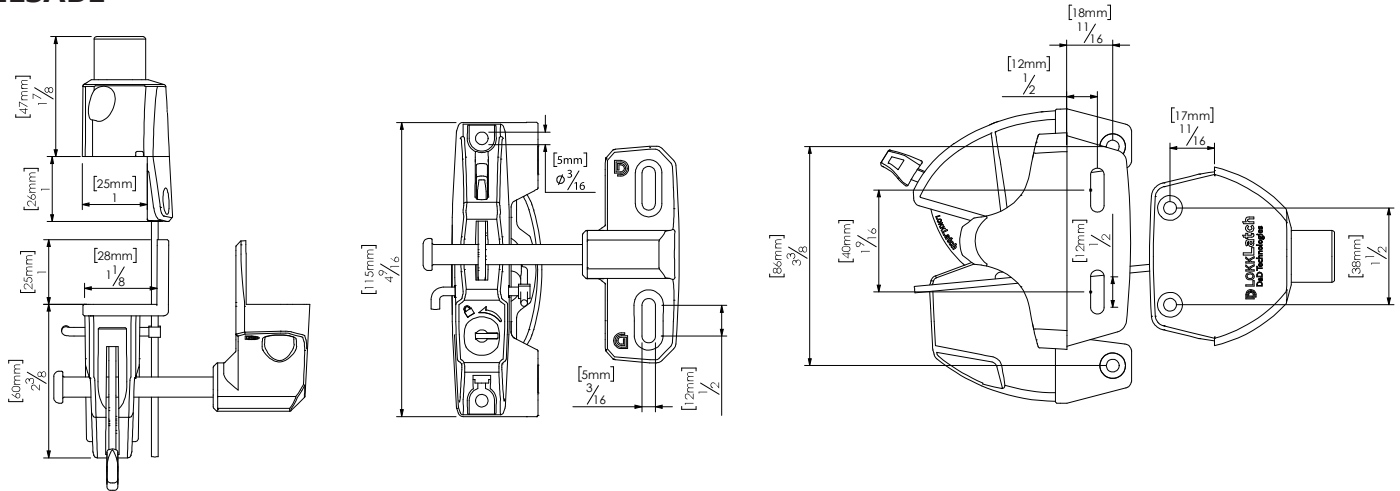
CODE	PRODUCT NAME	GATE MATERIAL	IDEAL GAP	GAP VARIANCE	COLOR
LL3AL	LokkLatch® Series 3	Metal, Wood, Vinyl	3/4"	3/8" – 1 1/2"	Black
LL3ABL	LokkLatch® Series 3 with EAB	Metal, Wood, Vinyl	7/8"	9/16" – 1 1/2"	Black
LL3B	LokkLatch® Series 3 EAB Kit Only	Metal, Wood, Vinyl	-	-	Black
LL3ABRND*	LokkLatch® Series 3 Round Post Latch with EAB	Chainlink	1 -1/2"	1 1/4" – 2 1/4"	Black
LL3ALW	LokkLatch® Series 3	Metal, Wood, Vinyl	3/4"	3/8" – 1 1/2"	White
LL3ABLW	LokkLatch® Series 3 with EAB	Metal, Wood, Vinyl	7/8"	9/16" – 1 1/2"	White
LL3BW	LokkLatch® Series 3 EAB Kit Only	Metal, Wood, Vinyl	-	-	White

*Round fence post adaptors: 1 5/8" to 2", 2 3/8", 2 7/8" to 3". Round gate frame adaptors: 1 3/8", 1 5/8" to 1 7/8".

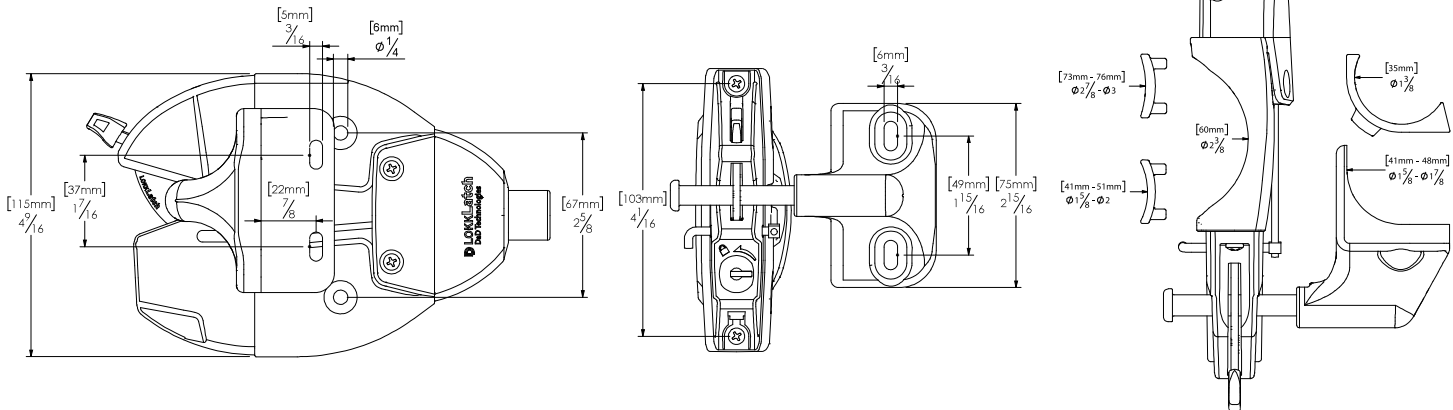
NOTE: All standard LokkLatch® models are keyed alike.

Product Dimensions

LL3ABL



LL3ABRND



www.ddtech.com

7020 Reames Rd., Unit D, Charlotte, NC 28216
 Tel: (800) 716-0888 or (714) 677-1300
 Fax: (800) 464-6400 or (714) 677-1299
 E-mail: info@ddtechusa.com

