

CALF TABLE REVERSAL INSTRUCTIONS

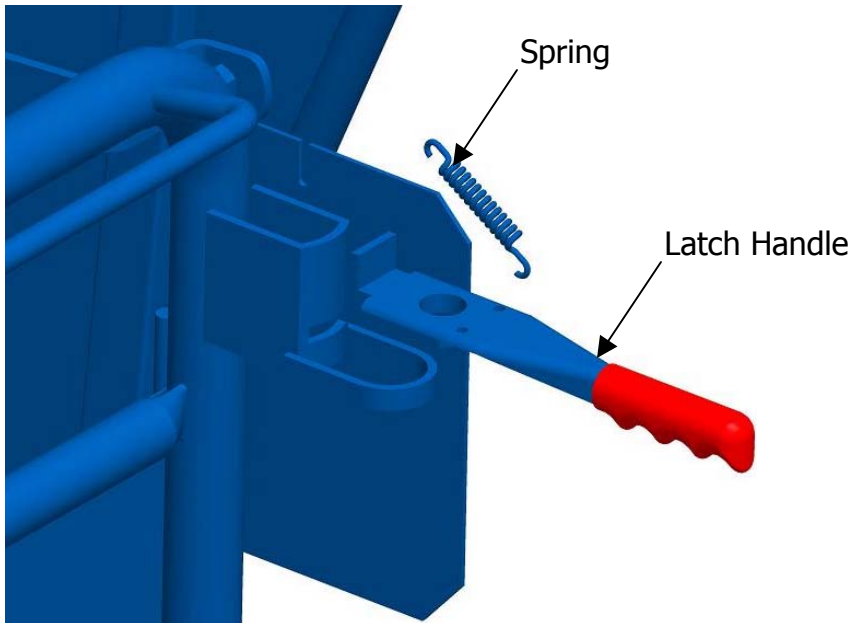
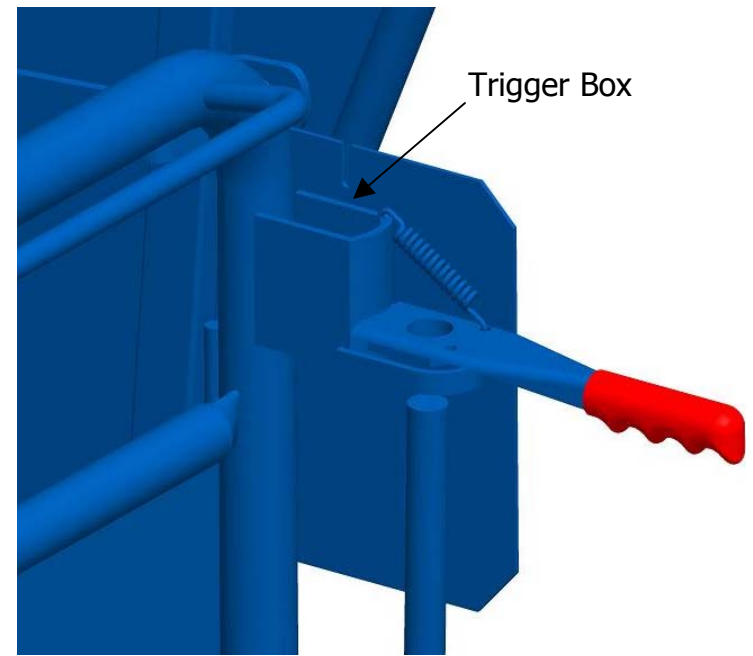
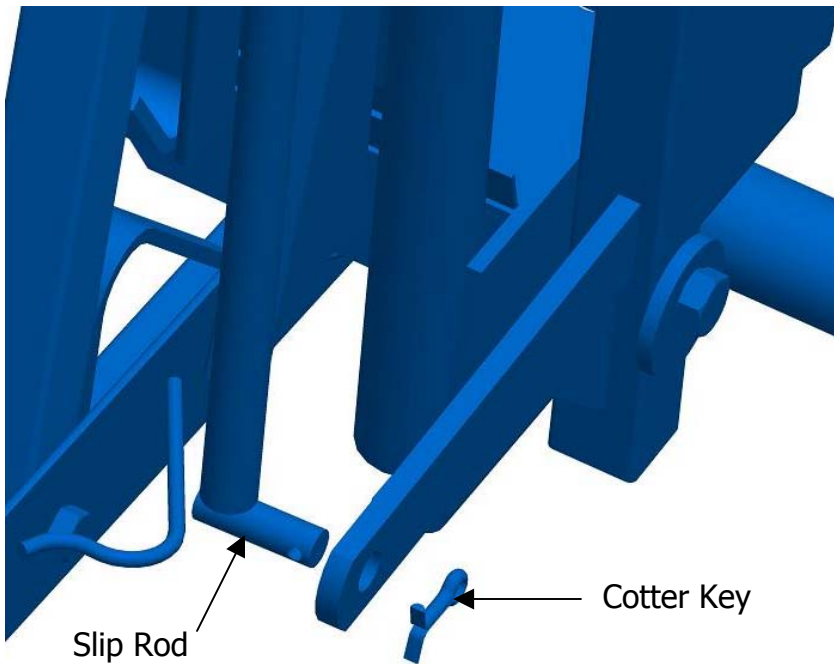


CALF TABLE (CT) SHOWN W/ STANDARD HEADGATE CONFIGURATION.



CALF TABLE (CT) SHOWN W/ REVERSED HEADGATE CONFIGURATION.

CALF TABLE REVERSAL INSTRUCTIONS

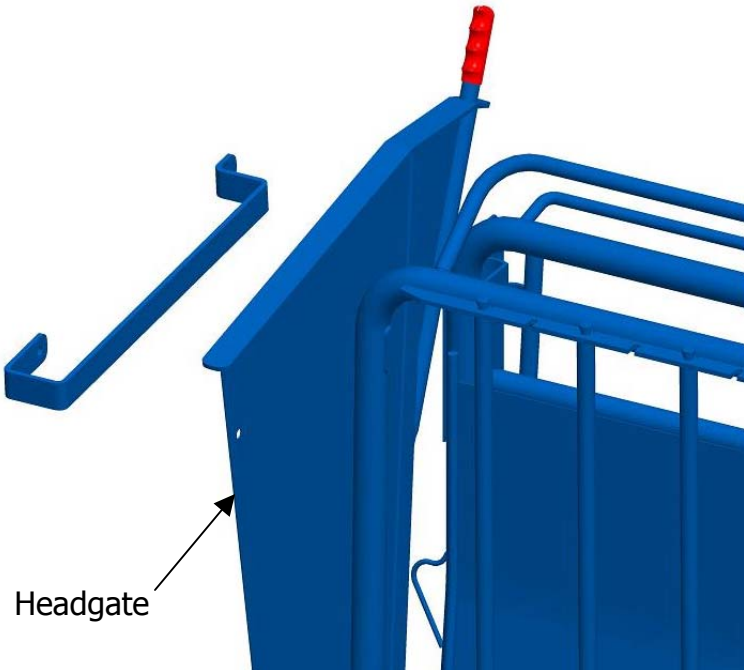
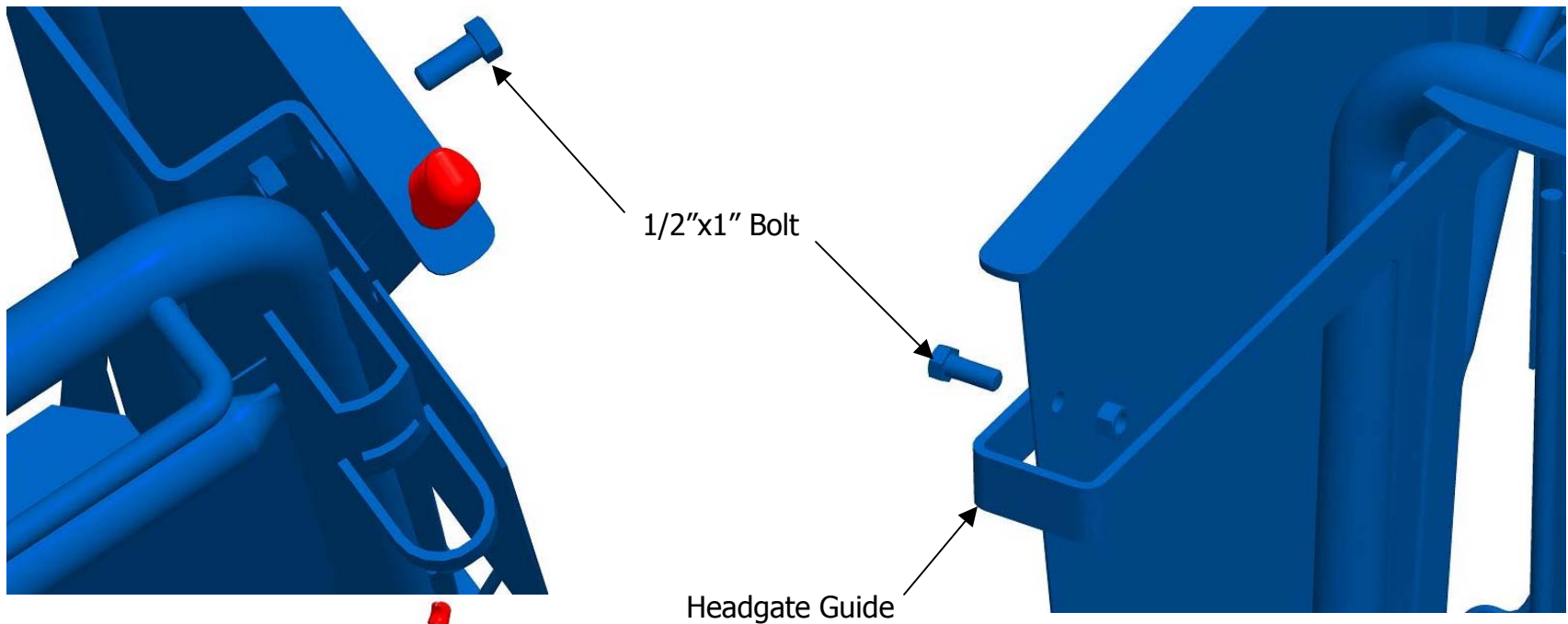


Step 1: Remove the Cotter Key from the Slip Rod and slide the rod out of the hole.

Step 2: Slide the other end of the rod out of the Latch Handle to remove it completely from the assembly.

Step 3: Remove the Spring from the Latch handle, then remove the Latch handle from the Trigger box.

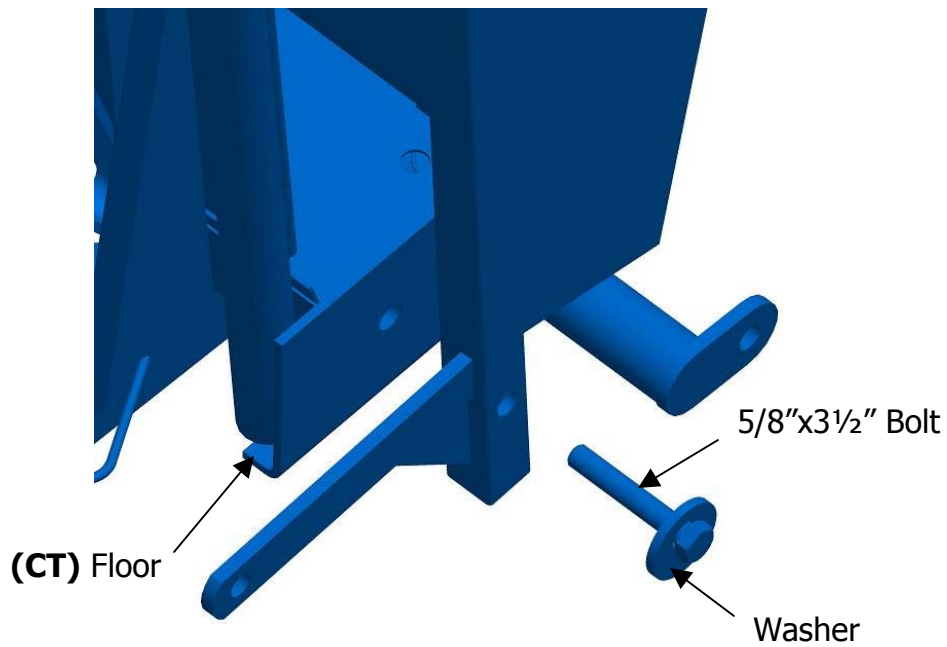
CALF TABLE REVERSAL INSTRUCTIONS



Step 4: Remove the (2) 1/2"x1" bolts attaching the Headgate Guide to the Headgate.

Step 5: Remove the Headgate Guide from the assembly.

CALF TABLE REVERSAL INSTRUCTIONS

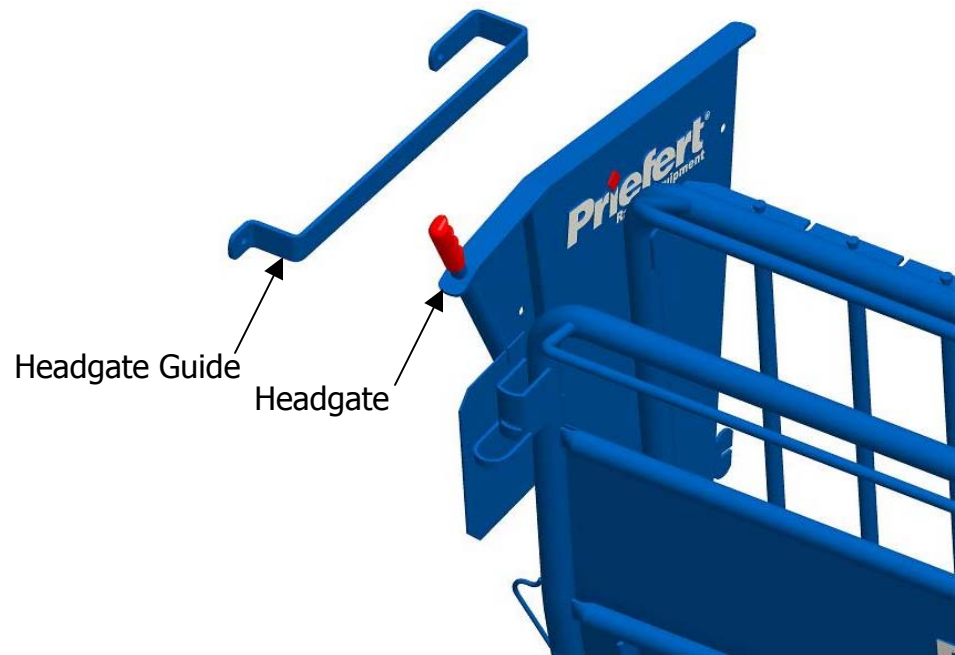
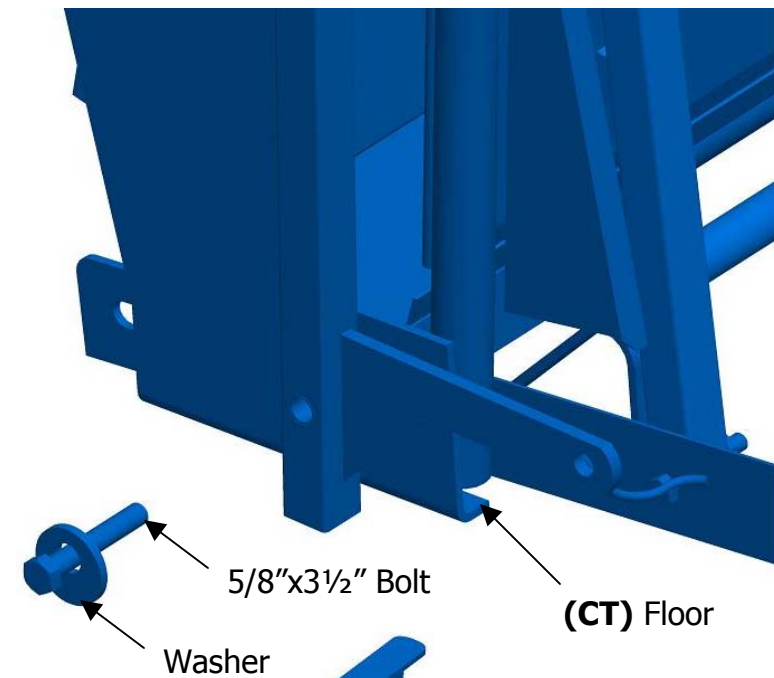


Step 6: Remove the 5/8"x3 1/2" bolt and Washer attaching the Headgate to the **(CT)** Floor.

Step 7: Remove the Headgate from the assembly, and move it to the other side of the Calf Table.

Note: The orientation of the Headgate is the same in both Standard and Reversed configurations.

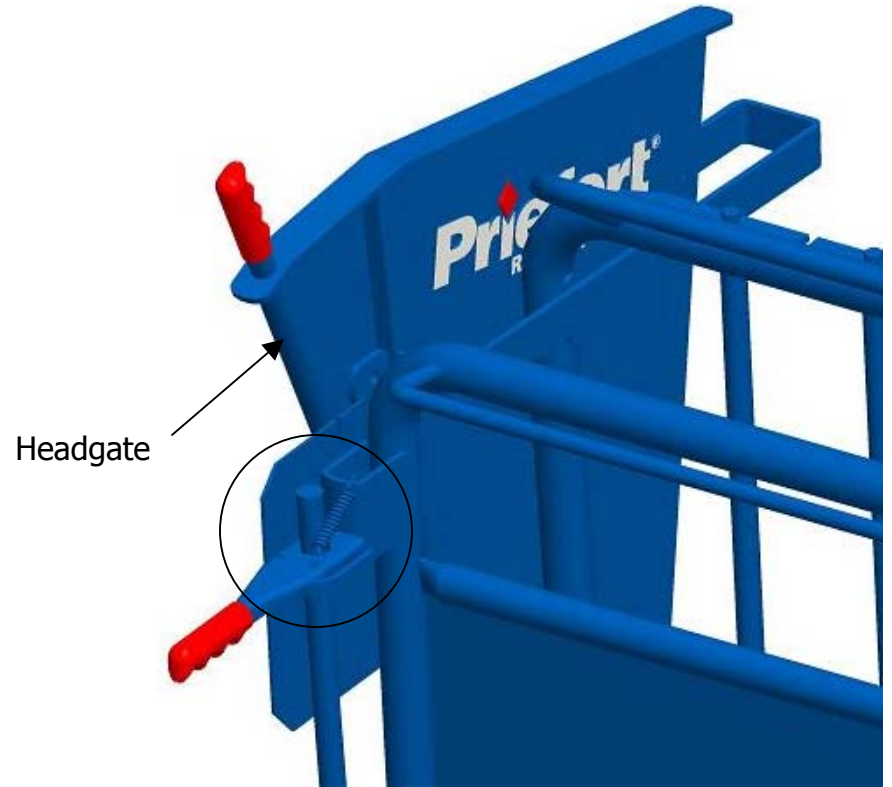
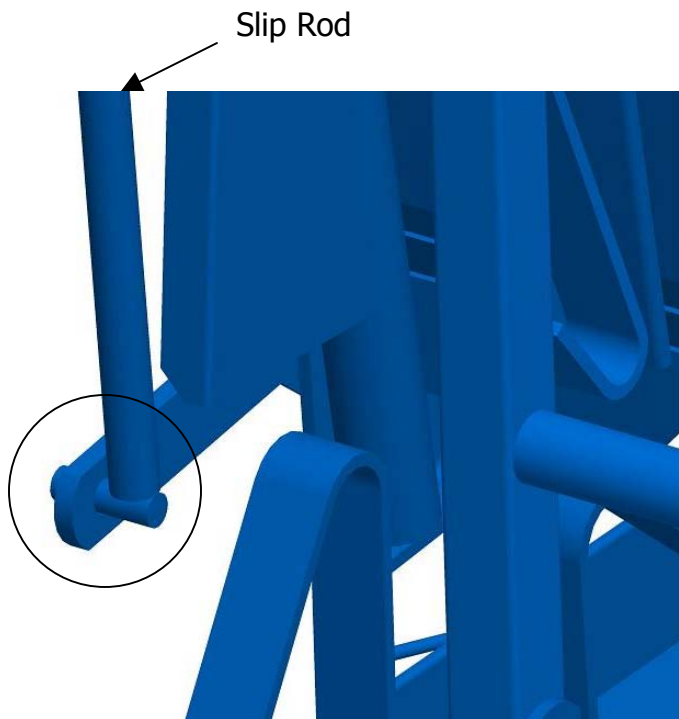
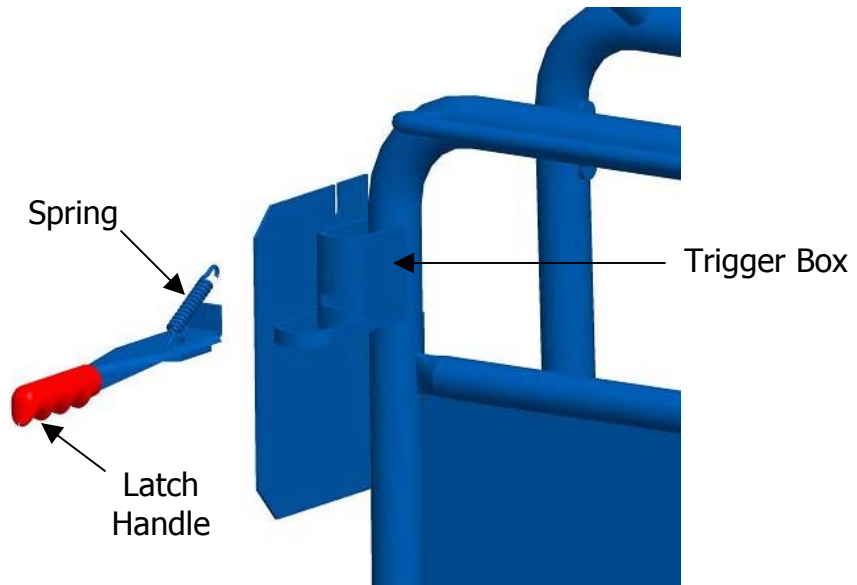
CALF TABLE REVERSAL INSTRUCTIONS



Step 8: Insert the 5/8"x3 1/2" bolt and washer into the Headgate and secure it to the **(CT)** Floor.

Step 9: Align the holes in the Headgate Guide with the holes in the Headgate and secure it with the 1/2"x1" bolts.

CALF TABLE REVERSAL INSTRUCTIONS



Step 10: Insert the Latch Handle into the Trigger Box and attach the spring.

Step 11: Slide the Slip Rod into the hole in the Latch Handle. Insert the Slip Rod into the hole at the bottom of the Headgate, and Secure it with the Cotter Key. This concludes the Calf Table Reversal Process.

**Thank you for
choosing a Priefert™
Product.**