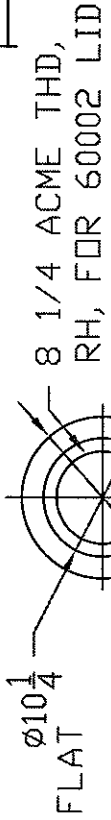
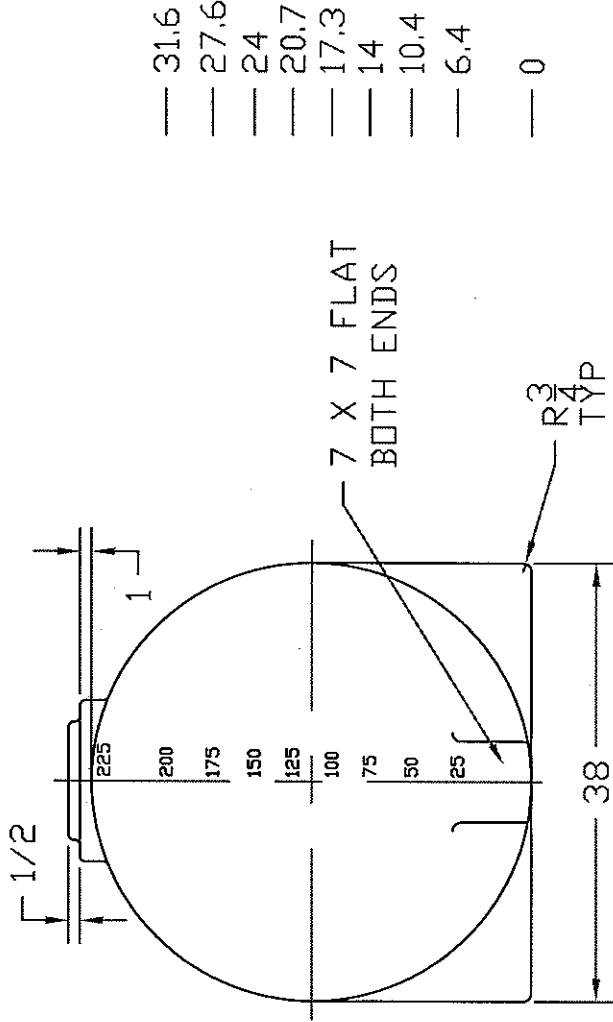
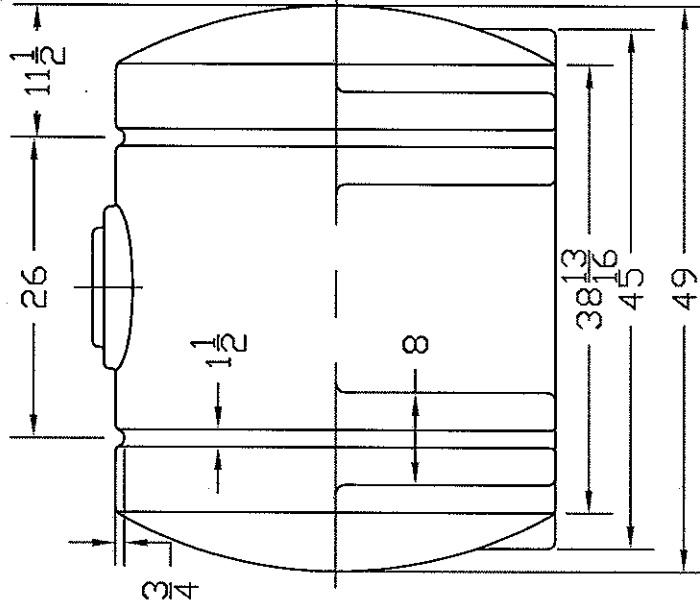


REVISIONS

ZONE	REV	DESCRIPTION	DATE	APPROVED
	A	OH ADDED	04 JAN05	
	B	IA ADDED	21 JUN06	



NOTE: GALLONAGE MARKS
ON BOTH ENDS



—	31.6
—	27.6
—	24
—	20.7
—	17.3
—	14
—	10.4
—	6.4
—	0

NORWESCO
ST. BONIFACIUS, MN

225 GALLON HORIZONTAL
LEG TANK

JTP	07MAR96	SIZE	FSCM NO.	DWG NO.	REV
		A		40299	A
SCALE 1/16				SHEET 2 OF 2	

(A) (B)

GA, MN, OH, UT, WA, CA, IA