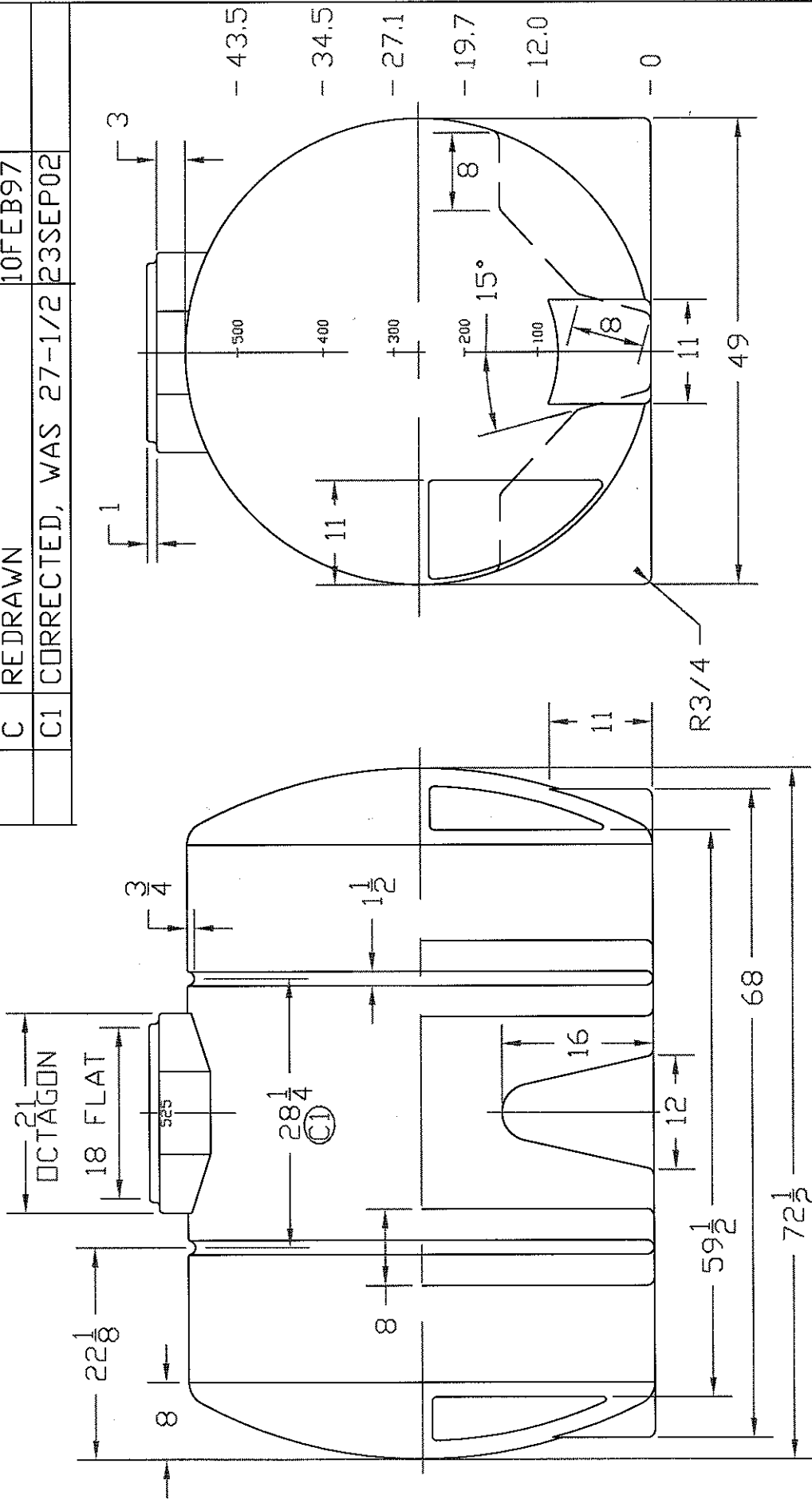


REVISIONS

ZONE	REV	DESCRIPTION	DATE	APPROVED
	C	REDRAWN	10FEB97	
	C1	CORRECTED, WAS 27-1/2	23SEP02	



NOTE: GALLONAGE MARKS BOTH ENDS

NORWESCO
ST. BONIFACIUS, MN

525 GAL HORIZONTAL TANK

JTP	10FEB97			
SIZE	FSCM NO.	DWG NO.	REV	C1
A				
SCALE 1/16		SHEET		