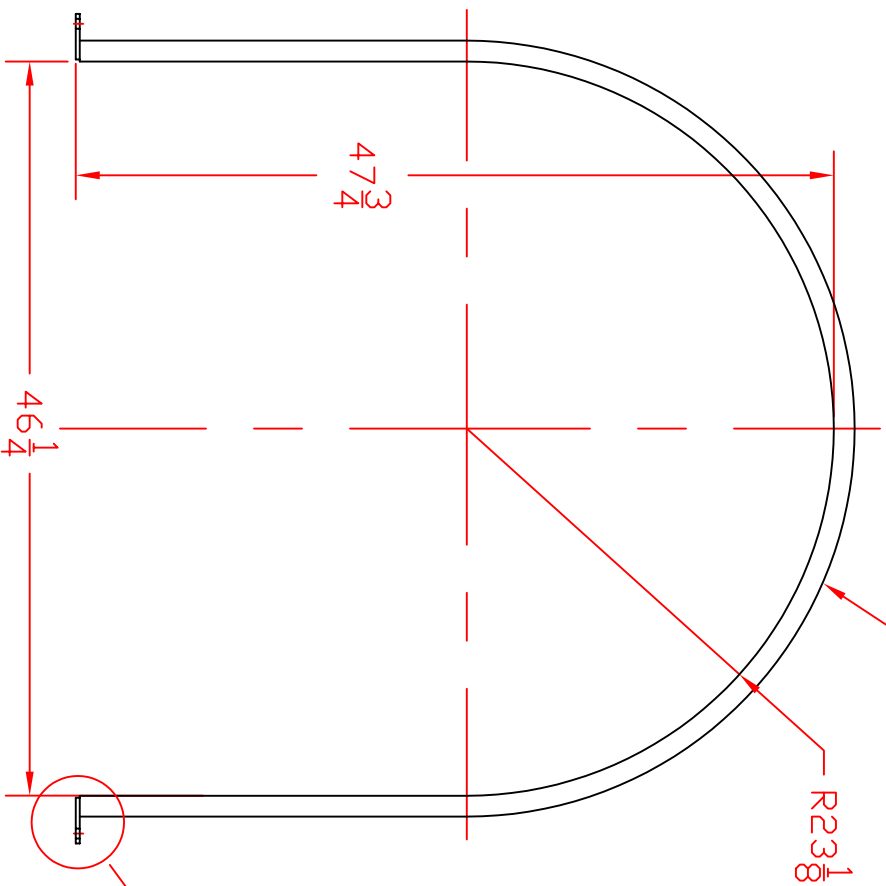
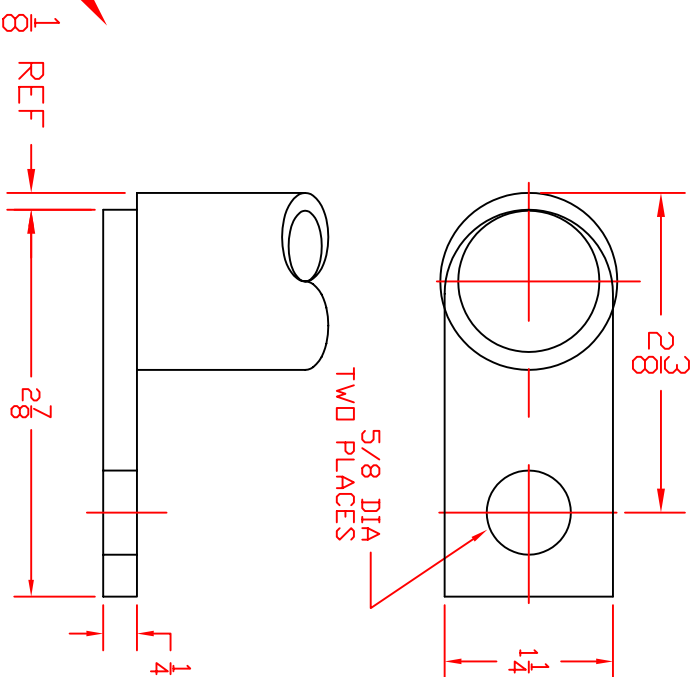


1" PIPE (1.31" OD) W/ .120" WALL



REVISIONS			DATE	APPROVED
ZONE	REV	DESCRIPTION		
	A	REDRAWN	10SEP97	
	B	REVISED & REDRAWN	14JAN04	



FULL SCALE DETAIL

NOTE: WELD WITH LOW HYDROGEN ROD

FINISH: HOT DIPPED GALVANIZED

THIS DRAWING MODIFIED WITH
NARROWER FOOT.

NORWESCO
ST. BONIFACIUS, MN

BAND, 425, 525, 725, &
1025 GAL. HORIZ. TANKS

JTP	14JAN04	SIZE	FSCM NO.	DWG NO.	REV
		A			B
SCALE 1/12		SHEET			