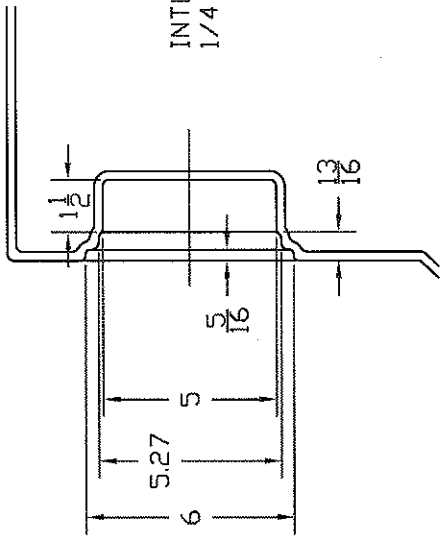
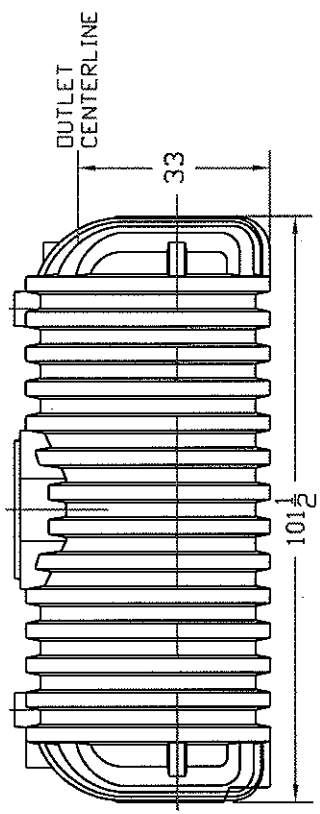
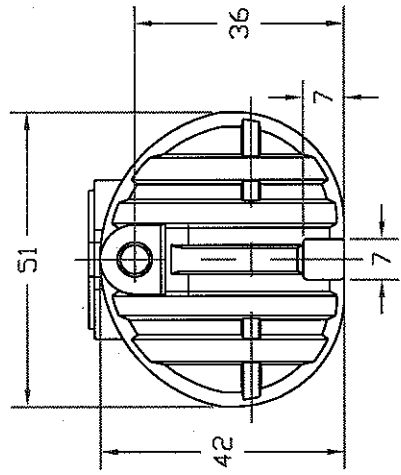
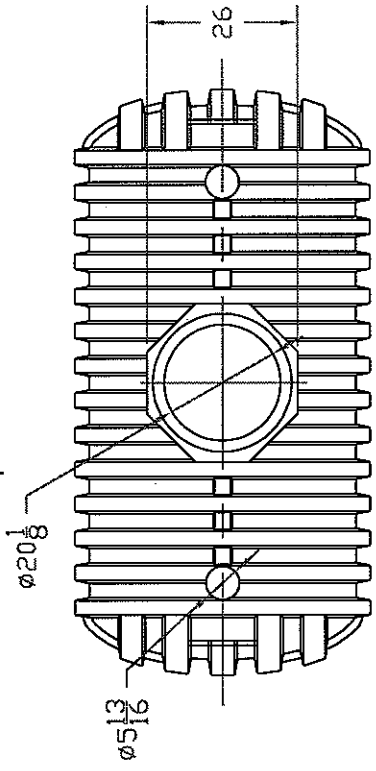


REVISIONS		DATE	APPROVED
ZONE	REV	DESCRIPTION	



INLET/OUTLET DETAIL
1/4 SCA



NORWESCO
ST. BONIFACIUS, MN

500 GALLON SEPTIC TANK

JTP	15JUL02	SIZE	FSCM NO.	DWG NO.	REV
		B		41320/40796	
SCALE					SHEET
1/24					1/24